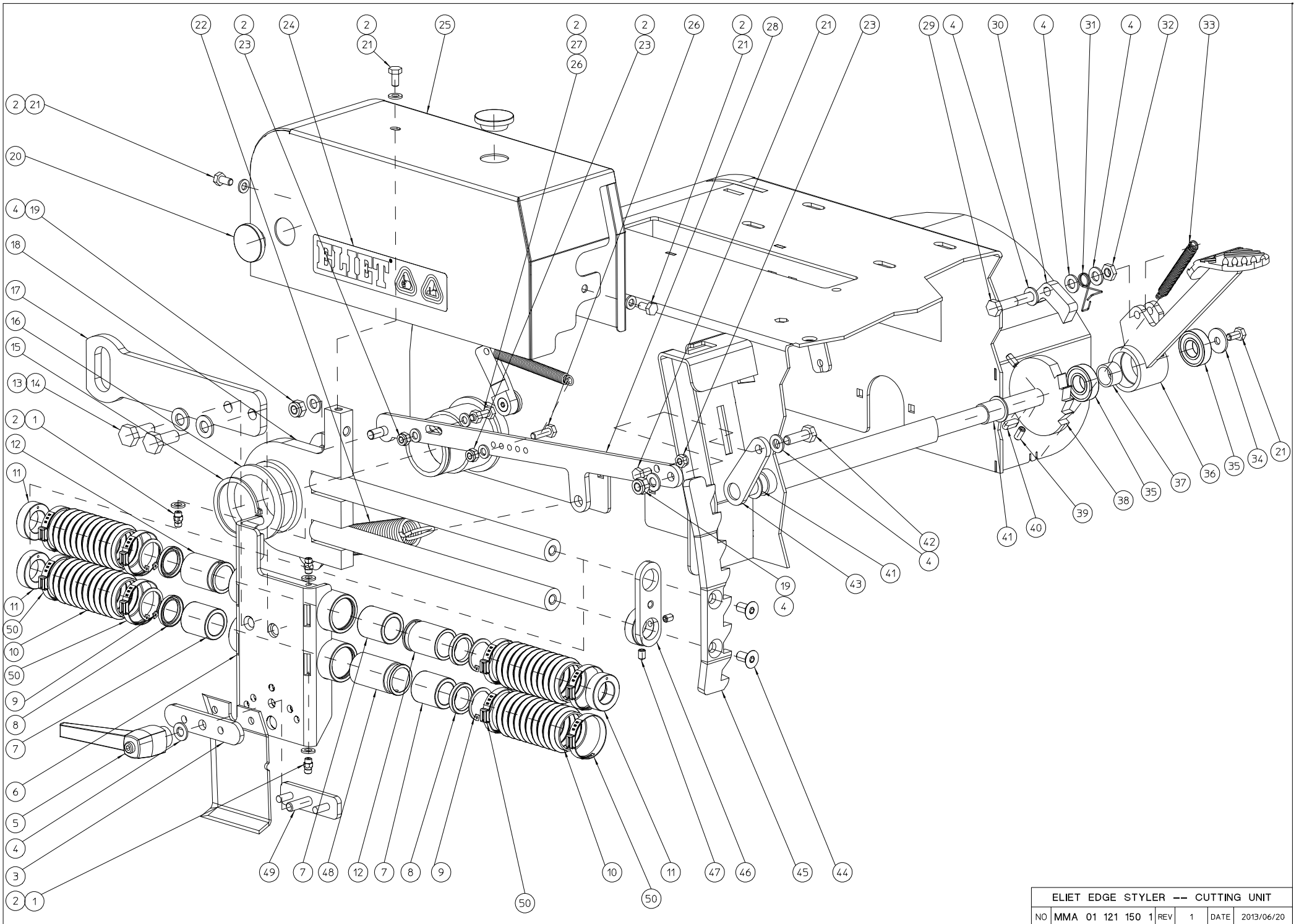


ELIET EDGE STYLER STD-2009

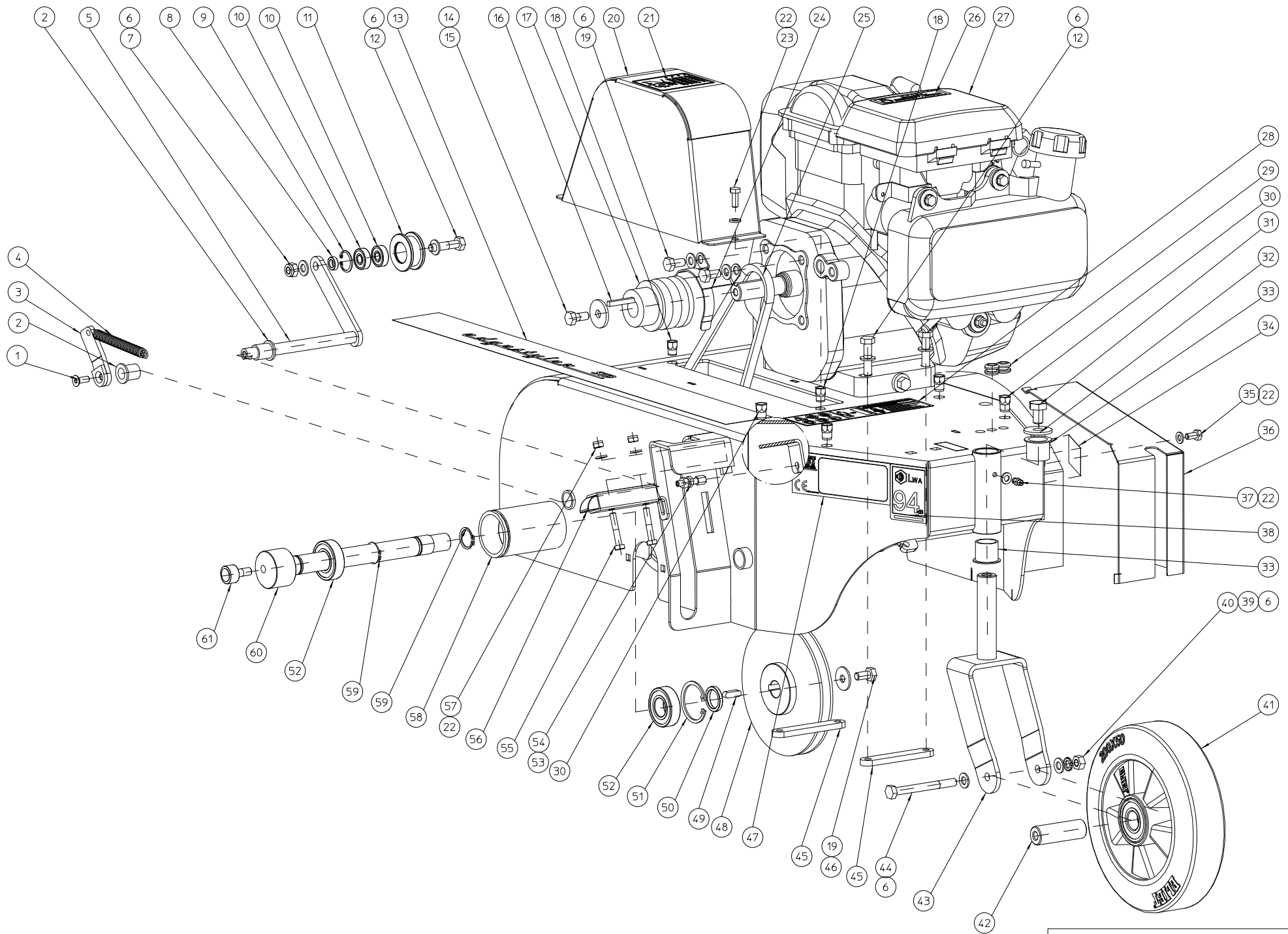
|    |                |     |   |      |            |
|----|----------------|-----|---|------|------------|
| NO | MMA 01 121 200 | REV | 2 | DATE | 2013/11/13 |
|----|----------------|-----|---|------|------------|

| #   | Order nr       | article description              | quantity |
|-----|----------------|----------------------------------|----------|
| 150 | MMA 01 121 150 | eliet edge styler - cutting unit | 1        |
| 210 | MMA 01 121 210 | chassis                          | 1        |
| 220 | MMA 01 121 220 | steer                            | 1        |
| 230 | MMA 01 121 230 | transmission                     | 1        |



| ELIET EDGE STYLER -- CUTTING UNIT |                  |     |   |      |            |  |
|-----------------------------------|------------------|-----|---|------|------------|--|
| NO                                | MMA 01 121 150 1 | REV | 1 | DATE | 2013/06/20 |  |

| #  | Order nr       | article description                         | quantity |
|----|----------------|---|----------|
| 1  | BY 100 106 100 | grease fitting m6 din 71412                 | 3        |
| 2  | BS 531 000 600 | washer m6 din 125                           | 9        |
| 3  | MPA 01 121 040 | mounting piece blades                       | 1        |
| 4  | BS 531 000 800 | washer m8 din 125                           | 7        |
| 5  | BN 530 108 800 | clamp levers                                | 1        |
| 6  | MPA 01 121 045 | blades bearing system                       | 1        |
| 7  | BL 866 010 010 | bronze bush bearing fmtc20                  | 3        |
| 8  | BR 302 120 284 | seal 20x28x4                                | 4        |
| 9  | BB 002 000 280 | retaining ring 28 din 472                   | 4        |
| 10 | BR 000 811 930 | rubber dust protection vaj 119              | 4        |
| 11 | BR 111 201 010 | nylon bushing (20/33x10)                    | 3        |
| 12 | MPA 01 121 105 | spacer ring bearing 40                      | 2        |
| 13 | BS 531 001 000 | washer m10 din 125                          | 2        |
| 14 | BS 512 001 025 | bolt m10x25 din 933                         | 2        |
| 15 | BB 001 000 500 | retaining ring 50 din 471                   | 1        |
| 16 | BR 112 503 400 | nylon bushing with collar (50/56/67x34/3.5) | 2        |
| 17 | MPA 01 121 050 | link rod                                    | 1        |
| 18 | MPA 01 121 060 | blades bearing system                       | 1        |
| 19 | BS 502 000 800 | self locking nut m8 din 985                 | 2        |
| 20 | BR 500 102 500 | rubber plug 25x2                            | 2        |
| 21 | BS 512 000 612 | bolt m6x12 din 933                          | 5        |
| 22 | BV 919 000 020 | spring                                      | 1        |
| 23 | BS 502 000 600 | self locking nut m6 din 985                 | 3        |
| 24 | BQ 505 010 380 | safety sticker 165x35 (hand cuts)           | 1        |
| 25 | MPA 01 121 275 | protection blades                           | 1        |
| 26 | BS 512 000 620 | bolt m6x20 din 933                          | 2        |
| 27 | BS 501 000 600 | nut m6 din 934                              | 1        |
| 28 | MPA 01 121 070 | mounting lath pedal                         | 1        |
| 29 | BS 511 000 841 | bolt m8x45 din 931                          | 1        |
| 30 | MPA 01 121 165 | rattle                                      | 1        |
| 31 | BV 922 000 010 | spring                                      | 1        |
| 32 | BS 501 900 800 | nut m8 din 439                              | 1        |
| 33 | BV 011 009 007 | spring 1x9x75                               | 1        |
| 34 | BS 532 006 224 | washer m6x22x2                              | 1        |
| 35 | BL 001 503 203 | bearing 6002 zz                             | 2        |
| 36 | MPA 01 121 065 | clutch pedal                                | 1        |
| 37 | MPA 01 121 030 | spacer ring                                 | 1        |
| 38 | MPA 01 121 170 | rattle disk                                 | 1        |
| 39 | BS 023 000 612 | set screw m6x12 din 916                     | 2        |
| 40 | BB 341 050 516 | key 5x5x16 din 6880                         | 1        |
| 41 | BR 112 152 100 | nylon bushing with collar (15.4/18/23x21/1) | 2        |
| 42 | BS 512 000 825 | bolt m8x25 din 933                          | 1        |
| 43 | MPA 01 121 075 | support clutch pedal                        | 1        |
| 44 | BS 522 100 816 | screw m8x16 din 7991                        | 2        |
| 45 | MPA 01 121 135 | toothed rack                                | 1        |
| 46 | MPA 01 121 095 | support protection blades                   | 1        |
| 47 | BS 023 000 608 | set screw m6x8 din 916                      | 2        |
| 48 | MPA 01 121 100 | spacer ring bearing 50                      | 1        |
| 49 | MPA 01 121 355 | clamping plate                              | 1        |
| 50 | BT 610 135 381 | stepless ear clamp                          | 8        |

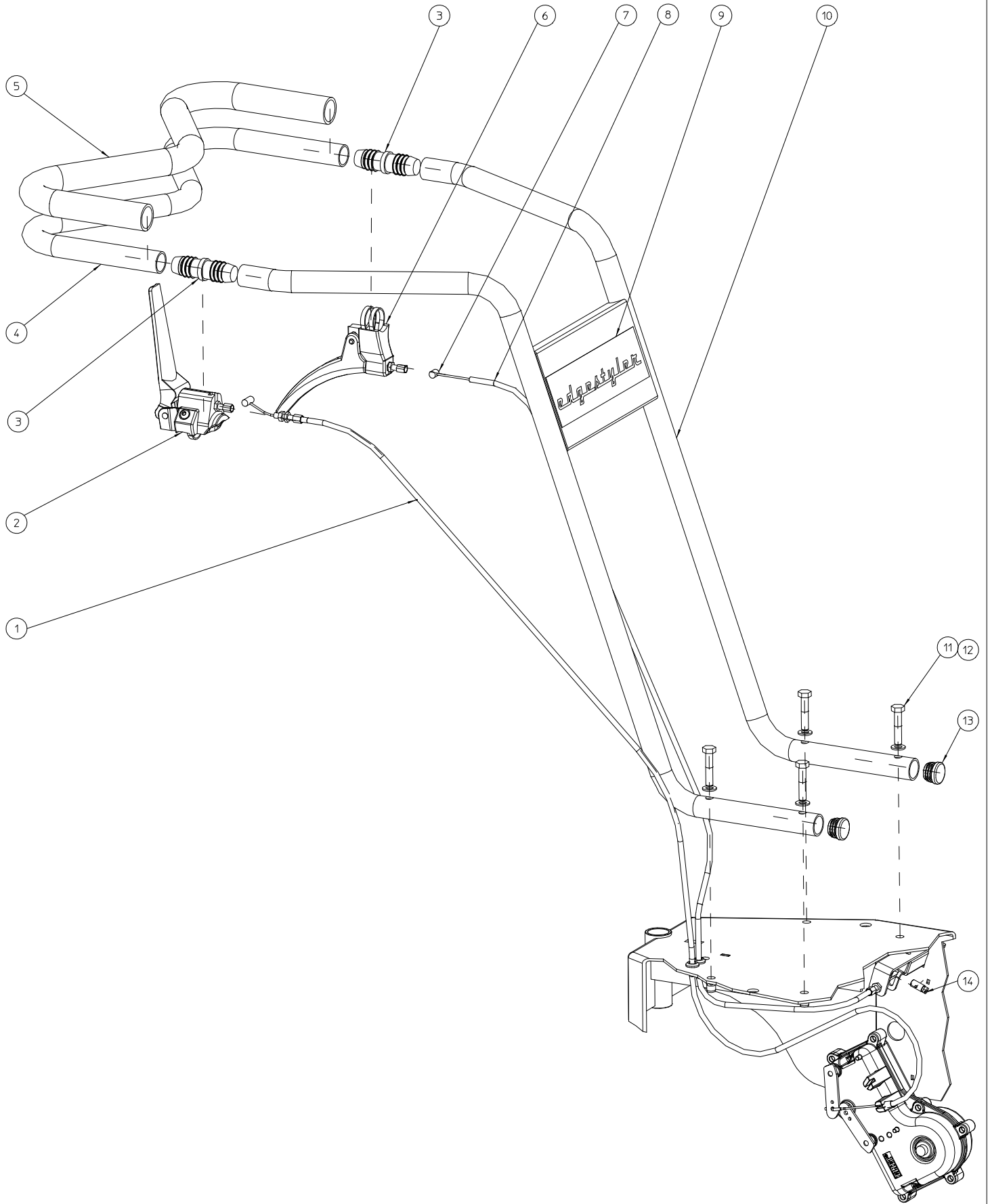


ELIET EDGE STYLER STD -- CHASSIS

|    |                |     |   |      |            |
|----|----------------|-----|---|------|------------|
| NO | MMA 01 121 210 | REV | 2 | DATE | 2014/01/24 |
|----|----------------|-----|---|------|------------|

| #  | Order nr       | article description   | quantity |
|----|----------------|---|----------|
| 1  | BS 522 100 616 | screw m6x16 din 7991  | 1        |
| 2  | BR 112 121 900 | nylon bushing with collar (12/16/21x19/2)                       | 2        |
| 3  | MPA 01 121 085 | support belt tightener  | 1        |
| 4  | BV 011 512 511 | spring 1,5x12,5x110,0   | 1        |
| 5  | MPA 01 121 080 | lever belt tightener  | 1        |
| 6  | BS 531 000 800 | washer m8 din 125   | 10       |
| 7  | BS 502 000 800 | self locking nut m8 din 985                                     | 1        |
| 8  | MPA 01 121 090 | spacer bush 4,5 idler   | 1        |
| 9  | BB 002 000 220 | retaining ring 22 din 472                                       | 1        |
| 10 | BL 000 802 203 | bearing ezo 608 zz  | 2        |
| 11 | BA 599 006 201 | idler roller Ø32  | 1        |
| 12 | BS 511 000 835 | bolt m8x35 din 931  | 5        |
| 13 | BQ 501 120 060 | sticker eliet edge styler                                       | 1        |
| 14 | BS 532 008 306 | washer m8x30x3  | 1        |
| 15 | BS 512 040 819 | bolt unf 5/16"x3/4"   | 1        |
| 16 | BB 342 050 544 | key 4.7x4.7x44 din 6880   | 1        |
| 17 | BA 564 005 021 | pulley spz ii 50  | 1        |
| 18 | BS 503 800 674 | blind rivet nut with reduced countersunk and hexagonal shaft m6 | 2        |
| 19 | BS 512 000 816 | bolt m8x16 din 933  | 3        |
| 20 | MPA 01 121 025 | transmission guard  | 1        |
| 21 | BQ 505 010 370 | safety sticker 70x56 (belt transmission)                        | 1        |
| 22 | BS 531 000 600 | washer m6 din 125   | 6        |
| 23 | BS 512 000 616 | bolt m6x16 din 933  | 2        |
| 24 | MPA 01 121 230 | belt catcher  | 1        |
| 25 | BA 521 109 370 | belt xpz 937  | 1        |
| 26 | BQ 505 010 020 | sticker max 2800 rpm 90x25                                      | 1        |
| 27 | BM 202 004 000 | honda gc 135  | 1        |
| 28 | BQ 505 010 171 | safety sticker 70x115 (pictogram)                               | 1        |
| 29 | BR 000 208 030 | rubber grommets 8/3   | 2        |
| 30 | BS 503 800 874 | blind rivet nut with reduced countersunk and hexagonal shaft m8 | 4        |
| 31 | BS 512 001 016 | bolt m10x16 din 933   | 1        |
| 32 | BS 532 010 305 | washer m10x30x2.5   | 1        |
| 33 | BR 112 202 100 | nylon bushing with collar (20/24/29x21/1)                       | 2        |
| 34 | BQ 501 010 010 | sticker eliet 65x30   | 1        |
| 35 | BS 512 000 612 | bolt m6x12 din 933  | 1        |
| 36 | MPA 01 121 340 | protection pedal  | 1        |
| 37 | BY 100 106 100 | grease fitting m6 din 71412                                     | 1        |
| 38 | BQ 505 112 094 | sticker sound level 94 db                                       | 1        |
| 39 | BS 534 000 800 | lock washer m8 din 6798a  | 1        |
| 40 | BS 501 000 800 | nut m8 din 934  | 1        |
| 41 | BW 320 020 000 | front wheel alu 200/50-60 (e 501 pro)                           | 1        |
| 42 | MPA 01 121 120 | axle caster wheel   | 1        |
| 43 | MPA 01 121 250 | fork caster wheel   | 1        |
| 44 | BS 511 000 848 | bolt m8x80 din 931  | 1        |
| 45 | MPA 01 121 255 | clamping plate engine   | 2        |
| 46 | BS 532 008 254 | washer m8x25x2  | 1        |
| 47 | BQ 505 010 010 | identity sticker ce 120x30                                      | 1        |
| 48 | BA 564 714 001 | pulley spz ii 140   | 1        |
| 49 | BB 351 060 620 | key 6x6x20 din 6885a  | 1        |
| 50 | MPA 01 121 270 | spacer ring pulley  | 1        |
| 51 | BB 002 000 420 | retaining ring 42 din 472                                       | 1        |
| 52 | BL 002 004 203 | bearing 6004 zz   | 2        |

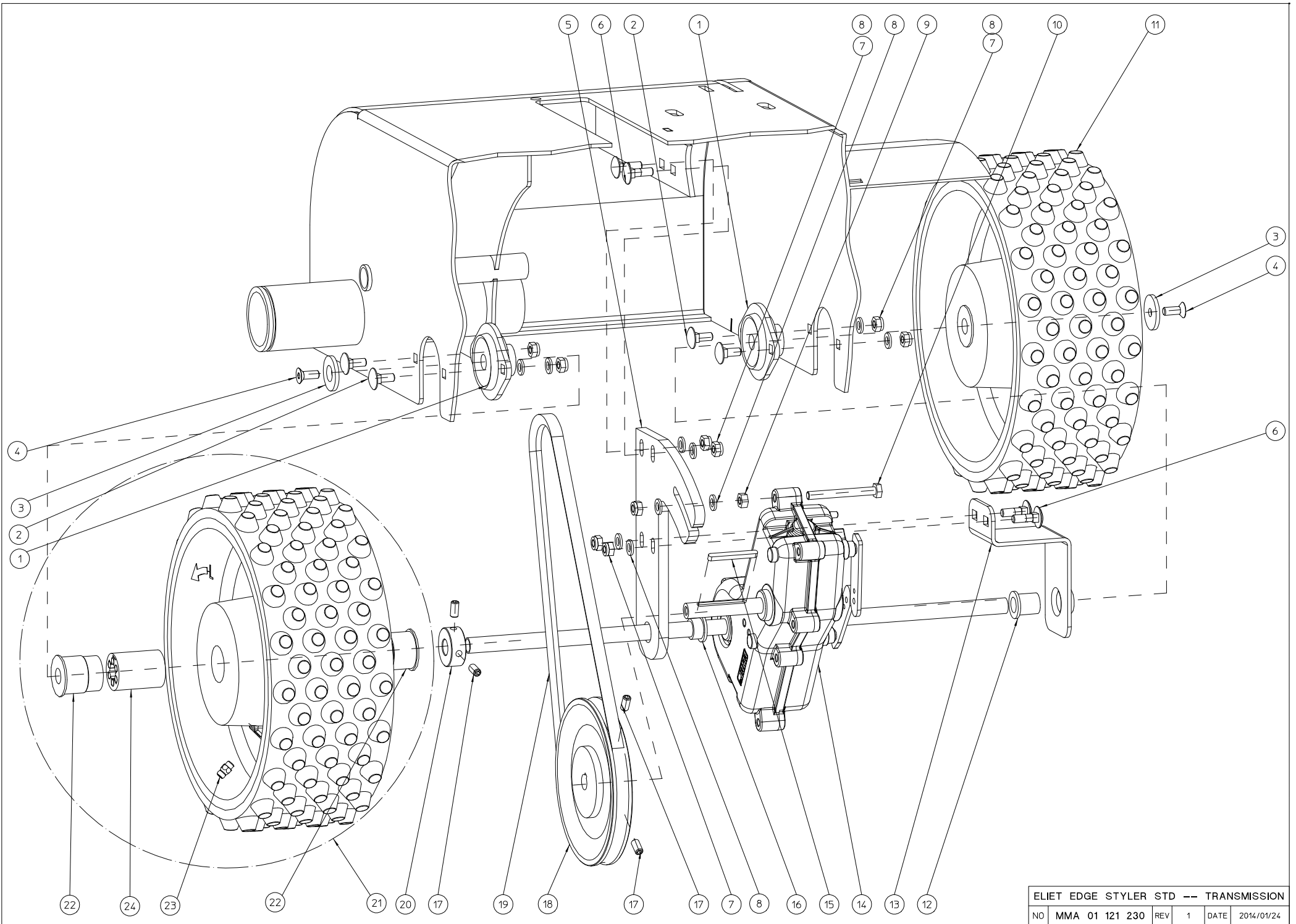
|    |                |                              |   |
|----|----------------|------------------------------|---|
| 53 | BS 501 000 600 | nut m6 din 934               | 1 |
| 54 | BK 610 100 600 | cable set screw m6x34        | 1 |
| 55 | BS 511 000 635 | bolt m6x35 din 931           | 2 |
| 56 | BO 360 504 180 | draw-bolt 90°                | 1 |
| 57 | BS 502 000 600 | self locking nut m6 din 985  | 2 |
| 58 | MPA 01 121 330 | chassis                      | 1 |
| 59 | BB 001 000 200 | retaining ring 20 din 471    | 2 |
| 60 | MPA 01 121 210 | axle eccentric               | 1 |
| 61 | BL 620 801 905 | stud type track rollers kr19 | 1 |



| ELIET EDGE STYLER STD -- STEER |                |     |   |      |            |  |
|--------------------------------|----------------|-----|---|------|------------|--|
| NO                             | MMA 01 121 220 | REV | 1 | DATE | 2014/01/24 |  |



| #  | Order nr       | article description                 | quantity |
|----|----------------|-------------------------------------|----------|
| 1  | BK 153 181 440 | cable 1.8x1440mm                    | 1        |
| 2  | BN 332 500 140 | control handle                      | 1        |
| 3  | BR 864 636 980 | tube connector                      | 2        |
| 4  | MPA 01 121 265 | upper steering bracket              | 1        |
| 5  | BN 231 002 077 | soft rubber grip dia 25mm (l=775mm) | 1        |
| 6  | BN 332 500 220 | control handle                      | 1        |
| 7  | BK 151 181 370 | cable 1.8x1370mm                    | 1        |
| 8  | BK 212 061 250 | cable conductor 6x1250mm            | 1        |
| 9  | BQ 501 120 080 | sticker eliet edge styler           | 1        |
| 10 | MPA 01 121 260 | lower steering bracket              | 1        |
| 11 | BS 511 000 840 | bolt m8x40 din 931                  | 4        |
| 12 | BS 531 000 800 | washer m8 din 125                   | 4        |
| 13 | BR 020 501 250 | tube cap Ø 25mm                     | 2        |
| 14 | BK 170 208 000 | cable fastener 8x15mm               | 1        |



| ELIET EDGE STYLER STD -- TRANSMISSION |                |     |   |      |            |  |
|---------------------------------------|----------------|-----|---|------|------------|--|
| NO                                    | MMA 01 121 230 | REV | 1 | DATE | 2014/01/24 |  |

| #  | Order nr       | article description                        | quantity |
|----|----------------|--|----------|
| 1  | BL 801 101 200 | bearing + flanges aspf1 201                | 2        |
| 2  | BS 554 100 616 | bolt m6x16 din 603                         | 4        |
| 3  | BS 532 506 276 | washer m6x27x3                             | 2        |
| 4  | BS 522 100 616 | screw m6x16 din 7991                       | 2        |
| 5  | MPA 01 121 280 | support gear                               | 1        |
| 6  | BS 554 100 620 | bolt m6x20 din 603                         | 4        |
| 7  | BS 502 000 600 | self locking nut m6 din 985                | 9        |
| 8  | BS 531 000 600 | washer m6 din 125                          | 10       |
| 9  | BS 501 000 600 | nut m6 din 934                             | 1        |
| 10 | BS 512 000 643 | bolt m6x55 din 933                         | 1        |
| 11 | BW 526 028 502 | wheel complete traction right              | 1        |
| 12 | BR 112 121 900 | nylon bushing with collar (12/16/21x19/2)  | 1        |
| 13 | MPA 01 121 130 | support gear 2                             | 1        |
| 14 | BA 670 405 401 | reduction gearboxes edge styler            | 1        |
| 15 | BB 351 040 440 | key 4x4x40 din 6885a                       | 1        |
| 16 | BR 112 121 000 | nylon bushing with collar (12/16/21x10/2)  | 1        |
| 17 | BS 023 000 612 | set screw m6x12 din 916                    | 4        |
| 18 | BA 564 712 501 | pulley spz ii 125                          | 1        |
| 19 | BA 521 108 000 | belt xpz 800                               | 1        |
| 20 | MPA 01 121 205 | ring clamp left wheel                      | 1        |
| 21 | BW 526 028 501 | wheel complete traction left               | 1        |
| 22 | BR 910 000 380 | nylon bushing edge styler                  | 0        |
| 23 | BY 100 106 100 | grease fitting m6 din 71412                | 0        |
| 24 | BA 240 301 200 | wheel clutch drive system Ø12 x 28,65 x 38 | 0        |