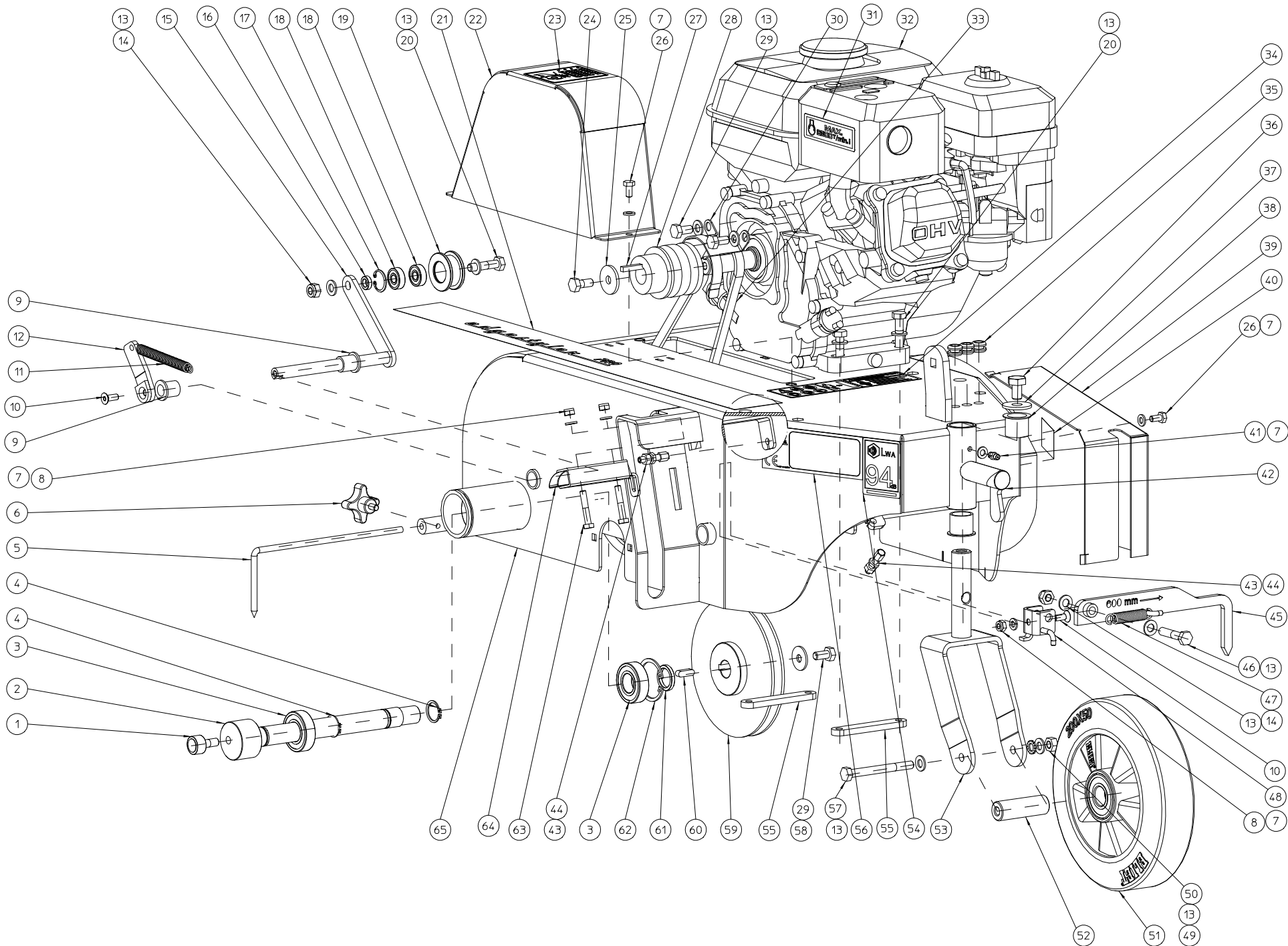


ELIET EDGE STYLER PRO

NO	MMA 01 121 100 1	REV	1	DATE	2013/11/13
----	------------------	-----	---	------	------------

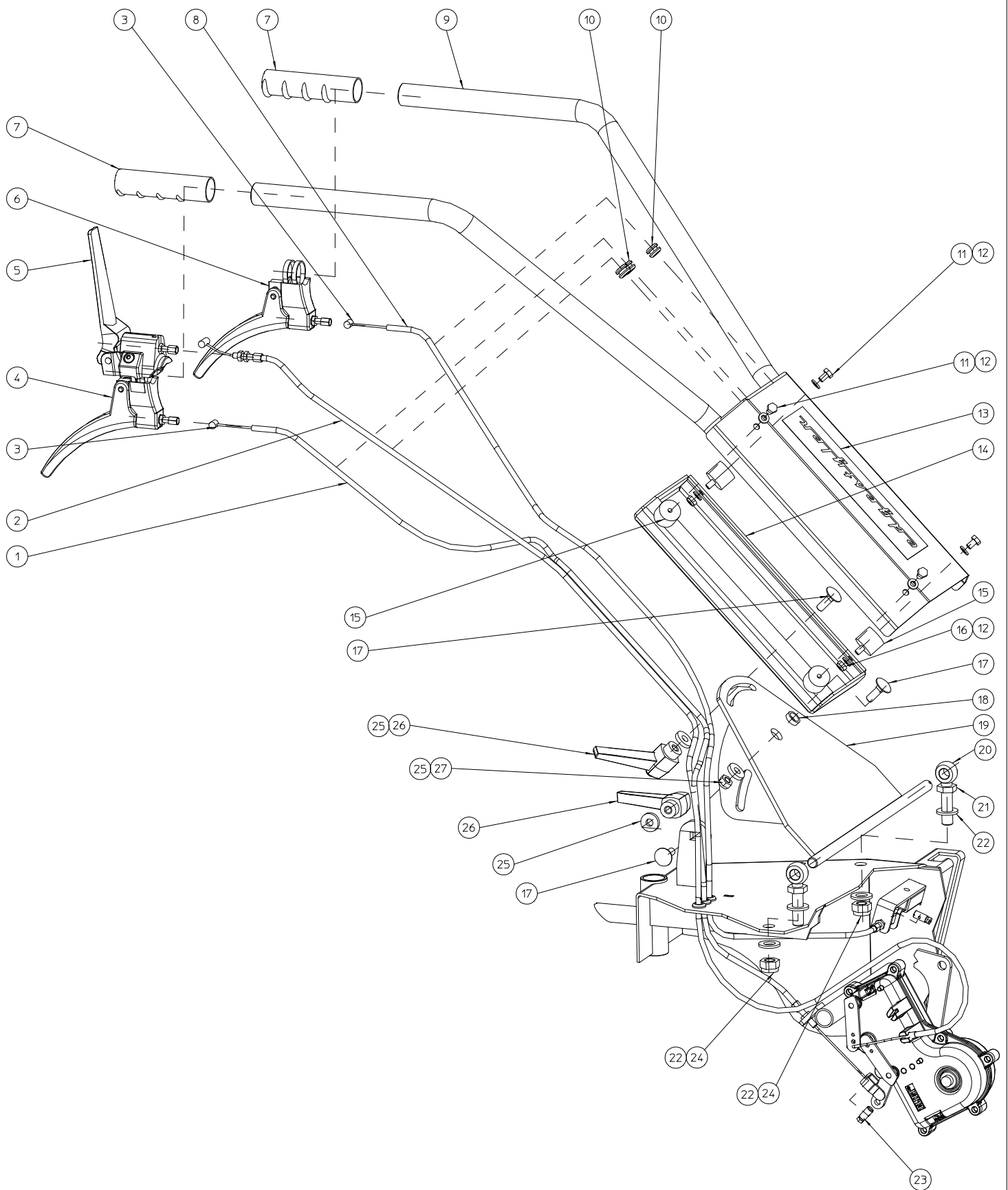
#	Order nr	article description	quantity
110	MMA 01 121 110	chassis	1
120	MMA 01 121 120	steer	1
130	MMA 01 121 130	transmission	1
150	MMA 01 121 150	eliet edge styler - cutting unit	1



ELIET EDGE STYLER PRO -- CHASSIS									
NO	MMA	01	121	110	1	REV	1	DATE	2010/05/26

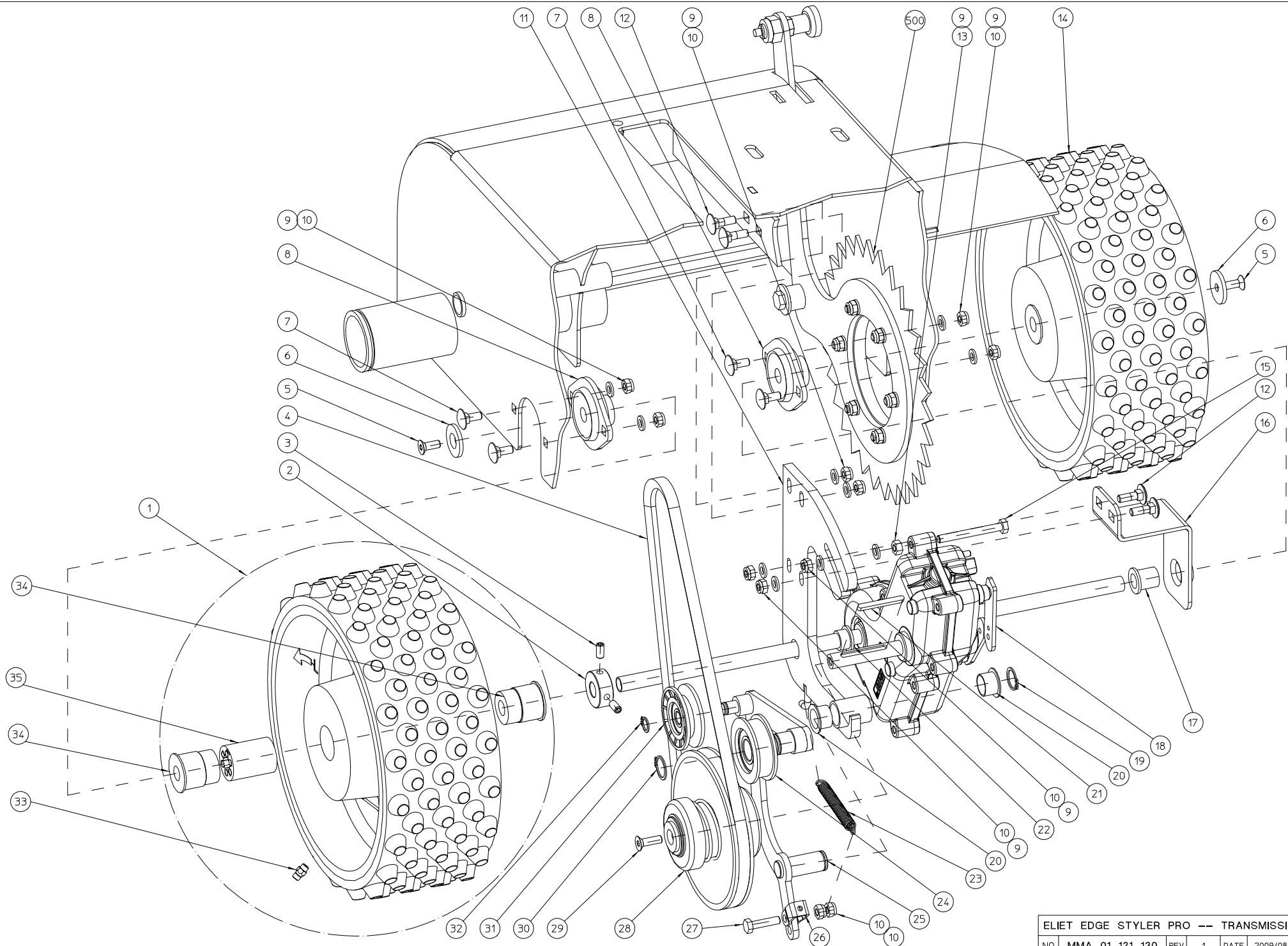
#	Order nr	article description	quantity
1	BL 620 801 905	stud type track rollers kr19	1
2	MPA 01 121 210	axle eccentric	1
3	BL 002 004 203	bearing 6004 zz	2
4	BB 001 000 200	retaining ring 20 din 471	2
5	MPA 01 121 180	alignment arrow right	1
6	BN 630 206 150	lob knob 189-40 m6x15	1
7	BS 531 000 600	washer m6 din 125	7
8	BS 502 000 600	self locking nut m6 din 985	3
9	BR 112 121 900	nylon bushing with collar (12/16/21x19/2)	2
10	BS 522 100 616	screw m6x16 din 7991	2
11	BV 011 512 511	spring 1,5x12,5x110,0	1
12	MPA 01 121 085	support belt tightener	1
13	BS 531 000 800	washer m8 din 125	12
14	BS 502 000 800	self locking nut m8 din 985	2
15	MPA 01 121 080	lever belt tightener	1
16	MPA 01 121 090	spacer bush 4,5 idler	1
17	BB 002 000 220	retaining ring 22 din 472	1
18	BL 000 802 203	bearing ezo 608 zz	2
19	BA 599 006 201	idler roller Ø32	1
20	BS 511 000 835	bolt m8x35 din 931	1
21	BQ 501 120 050	sticker eliet edge styler	1
22	MPA 01 121 025	transmission guard	1
23	BQ 505 010 370	safety sticker 70x56 (belt transmission)	1
24	BS 512 040 819	bolt unf 5/16"x3/4"	1
25	BS 532 008 306	washer m8x30x3	1
26	BS 512 000 612	bolt m6x12 din 933	3
27	BB 342 050 544	key 4.7x4.7x44 din 6880	1
28	BA 564 005 021	pulley spz ii 50	1
29	BS 512 000 816	bolt m8x16 din 933	3
30	MPA 01 121 230	belt catcher	1
31	BQ 505 010 020	sticker max 2800 rpm 90x25	1
32	BM 202 104 000	honda gx 120	1
33	BA 521 109 370	belt xpz 937	1
34	BQ 505 010 171	safety sticker 70x115 (pictogram)	1
35	BR 000 208 030	rubber grommets 8/3	3
36	BS 512 001 016	bolt m10x16 din 933	1
37	BS 532 010 305	washer m10x30x2.5	1
38	BR 112 202 100	nylon bushing with collar (20/24/29x21/1)	2
39	MPA 01 121 175	protection clutch pedal	1
40	BQ 501 010 010	sticker eliet 65x30	1
41	BY 100 106 100	grease fitting m6 din 71412	1
42	BO 100 010 100	pull-lock with wing handle 10mm	1
43	BO 100 010 100	pull-lock with wing handle 10mm	1
44	BS 501 000 600	nut m6 din 934	2
45	MPA 01 121 215	alignment arrow left	1
46	BS 511 000 840	bolt m8x40 din 931	1
47	BV 912 000 010	recall spring	1
48	MPA 01 121 285	mounting alignment arrow	1
49	BS 534 000 800	lock washer m8 din 6798a	1
50	BS 501 000 800	nut m8 din 934	1
51	BW 320 020 000	front wheel alu 200/50-60 (e 501 pro)	1
52	MPA 01 121 120	axle caster wheel	1

53	MPA 01 121 140	fork caster wheel	1
54	BQ 505 112 094	sticker sound level 94 db	1
55	BQ 505 112 094	sticker sound level 94 db	1
56	BQ 505 010 010	identity sticker ce 120x30	1
57	BS 511 000 848	bolt m8x80 din 931	1
58	BS 532 008 254	washer m8x25x2	1
59	BA 564 714 001	pulley spz ii 140	1
60	BB 351 060 620	key 6x6x20 din 6885a	1
61	MPA 01 121 270	spacer ring pulley	1
62	BB 002 000 420	retaining ring 42 din 472	1
63	BS 511 000 635	bolt m6x35 din 931	2
64	BO 360 504 180	draw-bolt 90°	1
65	MPA 01 121 020	chassis	1



ELIET EDGE STYLER PRO -- STEER					
NO	MMA 01 121 120 1	REV	1	DATE	2010/05/26

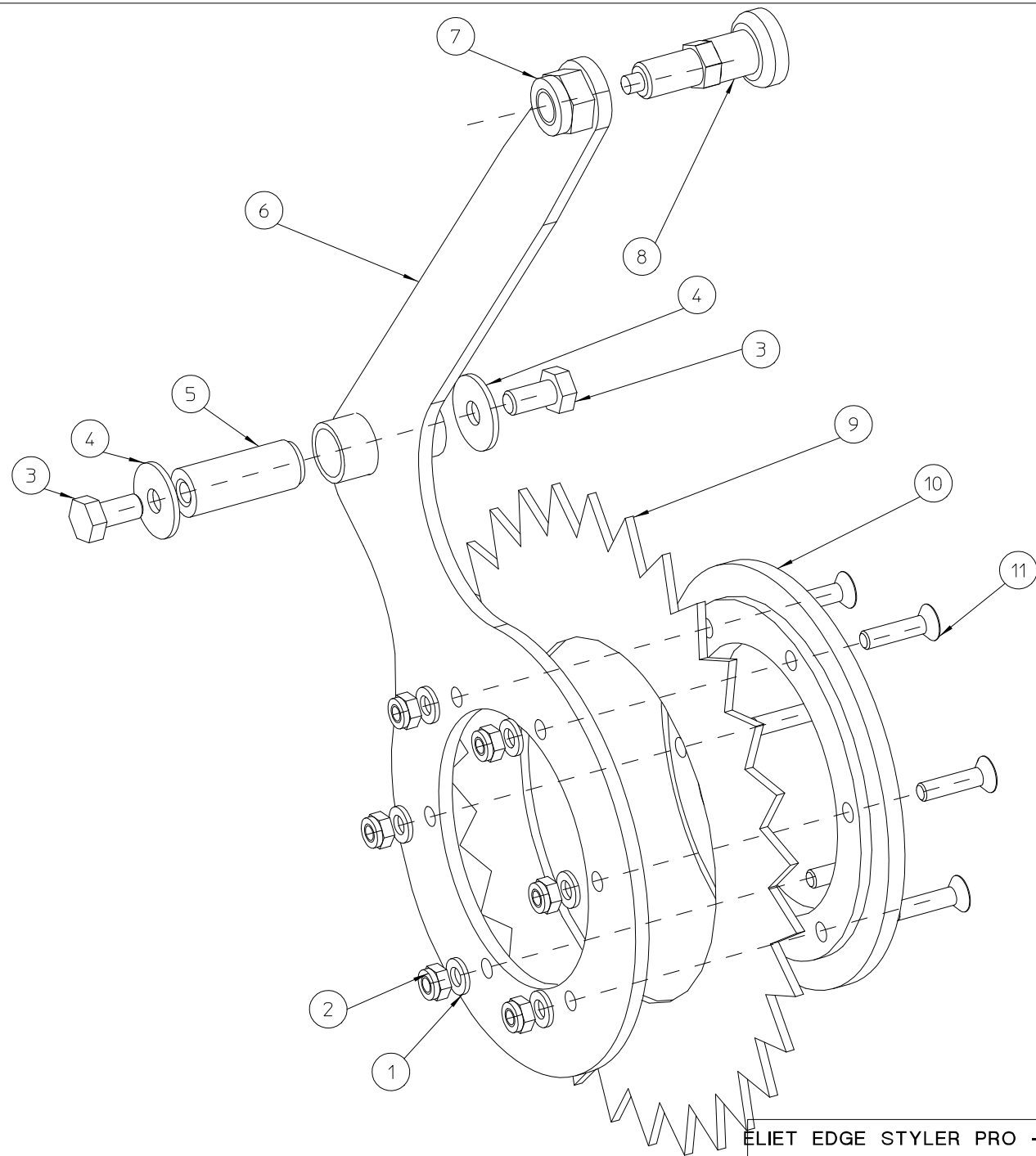
#	Order nr	article description	quantity
1	BK 212 061 150	cable conductor 6x900mm	1
2	BK 153 181 440	cable 1.8x1440mm	1
3	BK 151 181 370	cable 1.8x1370mm	2
4	BN 332 500 350	control handle	1
5	BN 332 500 140	control handle	1
6	BN 332 500 220	control handle	1
7	BN 230 100 408	plastic grip 1"	2
8	BK 212 061 250	cable conductor 6x1250mm	1
9	MPA 01 121 200	handlebars	1
10	BR 000 208 030	rubber grommets 8/3	3
11	BS 512 000 610	bolt m6x10 din 933	4
12	BS 531 000 600	washer m6 din 125	8
13	BQ 501 120 080	sticker eliet edge styler	1
14	MPA 01 121 195	mounting piece handlebars	1
15	BR 600 225 201	antivibration blocks 25x20b m6x10	4
16	BS 502 000 600	self locking nut m6 din 985	4
17	BS 554 100 825	bolt m8x25 din 603	3
18	MPA 01 121 145	spacer ring mounting handlebars	1
19	MPA 01 121 190	lower support handlebars	1
20	BS 551 001 244	eye bolt m12x60 din 444	2
21	BS 501 901 200	nut m12 din 439	2
22	BS 531 001 200	washer m12 din 125	4
23	BK 170 208 000	cable fastener 8x15mm	2
24	BS 502 001 200	self locking nut m12 din 985	2
25	BS 531 200 800	washer m8 din 7349	3
26	BN 530 108 800	clamp levers	2
27	BS 502 000 800	self locking nut m8 din 985	1



ELIET EDGE STYLER PRO -- TRANSMISSION

NO	MMA 01 121 130	REV	1	DATE	2009/08/27
----	----------------	-----	---	------	------------

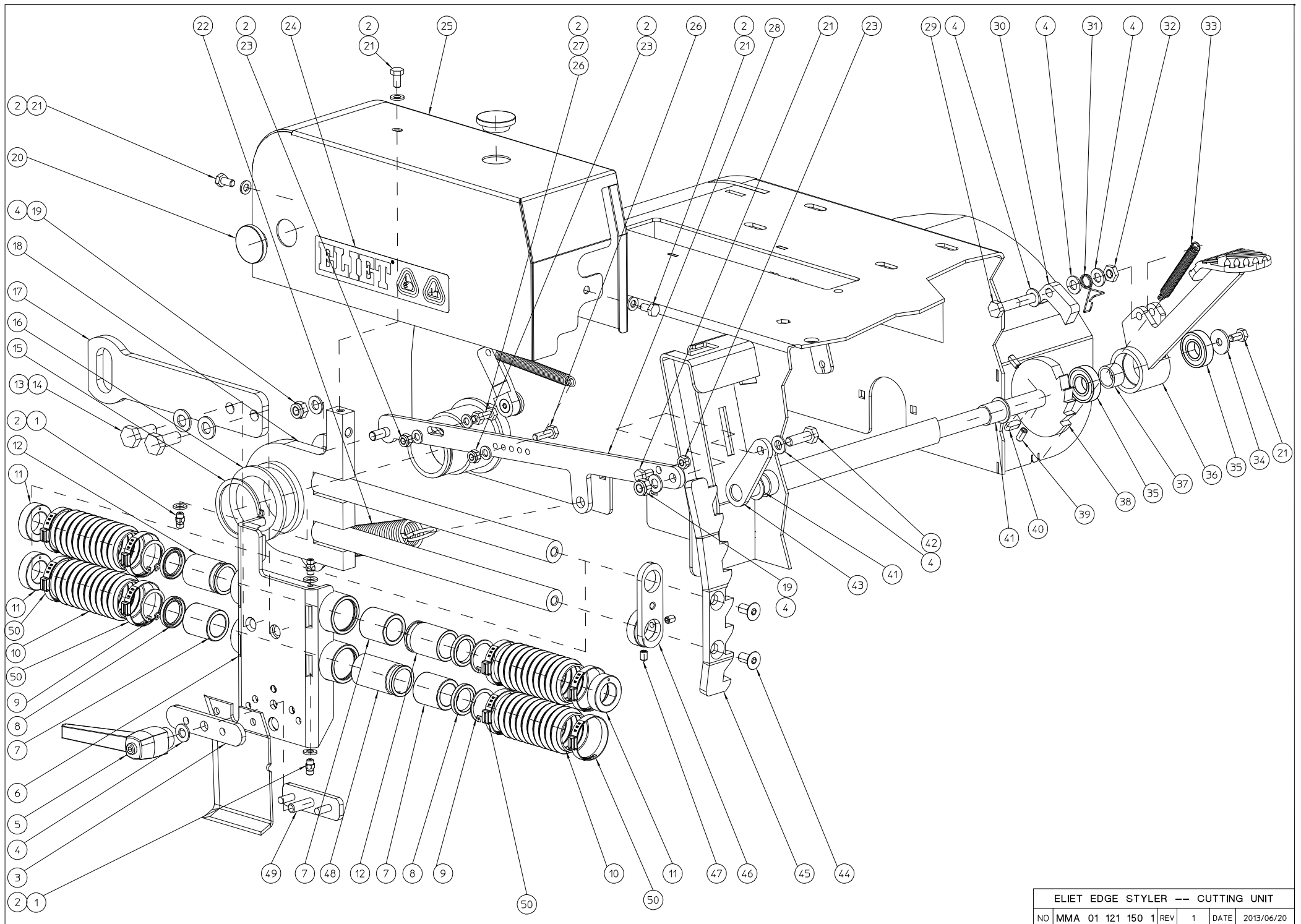
#	Order nr	article description	quantity
1	BW 526 028 501	wheel complete traction left	1
2	MPA 01 121 205	ring clamp left wheel	1
3	BS 023 000 612	set screw m6x12 din 916	2
4	BA 521 108 000	belt xpz 800	1
5	BS 522 100 616	screw m6x16 din 7991	2
6	BS 532 506 276	washer m6x27x3	2
7	BS 554 100 616	bolt m6x16 din 603	4
8	BL 801 101 200	bearing + flanges aspfl 201	2
9	BS 531 000 600	washer m6 din 125	10
10	BS 502 000 600	self locking nut m6 din 985	11
11	MPA 01 121 125	support gear	1
12	BS 554 100 620	bolt m6x20 din 603	4
13	BS 501 000 600	nut m6 din 934	1
14	BW 526 028 502	wheel complete traction right	1
15	BS 512 000 643	bolt m6x55 din 933	1
16	MPA 01 121 130	support gear 2	1
17	BR 112 121 900	nylon bushing with collar (12/16/21x19/2)	1
18	BA 670 405 401	reduction gearboxes edge styler	1
19	BB 001 000 160	retaining ring 16 din 471	1
20	BR 112 161 200	nylon bushing with collar (16/18/24x11/1)	2
21	BB 351 040 440	key 4x4x40 din 6885a	1
22	BR 112 121 000	nylon bushing with collar (12/16/21x10/2)	1
23	BV 011 009 007	spring 1x9x75	1
24	BA 599 123 450	idler roller Ø45	1
25	MPA 01 121 110	hinge shaft belt tighteners	1
26	BK 170 533 120	yoke 33x12	1
27	BS 512 000 625	bolt m6x25 din 933	1
28	BA 660 100 101	pulley variable spz 100-130	1
29	BS 522 100 620	screw m6x20 din 7991	1
30	BB 001 000 170	retaining ring 17 din 471	1
31	BA 599 094 350	idler roller vØ50	1
32	BB 001 000 100	retaining ring 10 din 471	1
33	BY 100 106 100	grease fitting m6 din 71412	0
34	BR 910 000 380	nylon bushing edge styler	0
35	BA 240 301 200	wheel clutch drive system Ø12 x 28,65 x 38	0
500	MMA 01 121 140	direction guide	1



ELIET EDGE STYLER PRO -- DIRECTION GUIDE

NO	MMA 01 121 140	REV	1	DATE	2009/08/05
----	----------------	-----	---	------	------------

#	Order nr	article description	quantity
1	BS 531 000 600	washer m6 din 125	6
2	BS 502 000 600	self locking nut m6 din 985	6
3	BS 512 000 816	bolt m8x16 din 933	2
4	BS 532 008 254	washer m8x25x2	2
5	MPA 01 121 115	hinge shaft toothed disk 30 t	1
6	MPA 01 121 155	position selector	1
7	BS 502 001 200	self locking nut m12 din 985	1
8	BN 000 212 550	locking bolts with locking groove	1
9	MPA 01 121 160	toothed disk 30 t	1
10	MPA 01 121 150	washer nylon	1
11	BS 522 100 625	screw m6x25 din 7991	6



ELIET EDGE STYLER -- CUTTING UNIT						
NO	MMA 01 121 150 1	REV	1	DATE	2013/06/20	

#	Order nr	article description	quantity
1	BY 100 106 100	grease fitting m6 din 71412	3
2	BS 531 000 600	washer m6 din 125	9
3	MPA 01 121 040	mounting piece blades	1
4	BS 531 000 800	washer m8 din 125	7
5	BN 530 108 800	clamp levers	1
6	MPA 01 121 045	blades bearing system	1
7	BL 866 010 010	bronze bush bearing fmtc20	3
8	BR 302 120 284	seal 20x28x4	4
9	BB 002 000 280	retaining ring 28 din 472	4
10	BR 000 811 930	rubber dust protection vaj 119	4
11	BR 111 201 010	nylon bushing (20/33x10)	3
12	MPA 01 121 105	spacer ring bearing 40	2
13	BS 531 001 000	washer m10 din 125	2
14	BS 512 001 025	bolt m10x25 din 933	2
15	BB 001 000 500	retaining ring 50 din 471	1
16	BR 112 503 400	nylon bushing with collar (50/56/67x34/3.5)	2
17	MPA 01 121 050	link rod	1
18	MPA 01 121 060	blades bearing system	1
19	BS 502 000 800	self locking nut m8 din 985	2
20	BR 500 102 500	rubber plug 25x2	2
21	BS 512 000 612	bolt m6x12 din 933	5
22	BV 919 000 020	spring	1
23	BS 502 000 600	self locking nut m6 din 985	3
24	BQ 505 010 380	safety sticker 165x35 (hand cuts)	1
25	MPA 01 121 275	protection blades	1
26	BS 512 000 620	bolt m6x20 din 933	2
27	BS 501 000 600	nut m6 din 934	1
28	MPA 01 121 070	mounting lath pedal	1
29	BS 511 000 841	bolt m8x45 din 931	1
30	MPA 01 121 165	rattle	1
31	BV 922 000 010	spring	1
32	BS 501 900 800	nut m8 din 439	1
33	BV 011 009 007	spring 1x9x75	1
34	BS 532 006 224	washer m6x22x2	1
35	BL 001 503 203	bearing 6002 zz	2
36	MPA 01 121 065	clutch pedal	1
37	MPA 01 121 030	spacer ring	1
38	MPA 01 121 170	rattle disk	1
39	BS 023 000 612	set screw m6x12 din 916	2
40	BB 341 050 516	key 5x5x16 din 6880	1
41	BR 112 152 100	nylon bushing with collar (15.4/18/23x21/1)	2
42	BS 512 000 825	bolt m8x25 din 933	1
43	MPA 01 121 075	support clutch pedal	1
44	BS 522 100 816	screw m8x16 din 7991	2
45	MPA 01 121 135	toothed rack	1
46	MPA 01 121 095	support protection blades	1
47	BS 023 000 608	set screw m6x8 din 916	2
48	MPA 01 121 100	spacer ring bearing 50	1
49	MPA 01 121 355	clamping plate	1
50	BT 610 135 381	stepless ear clamp	8