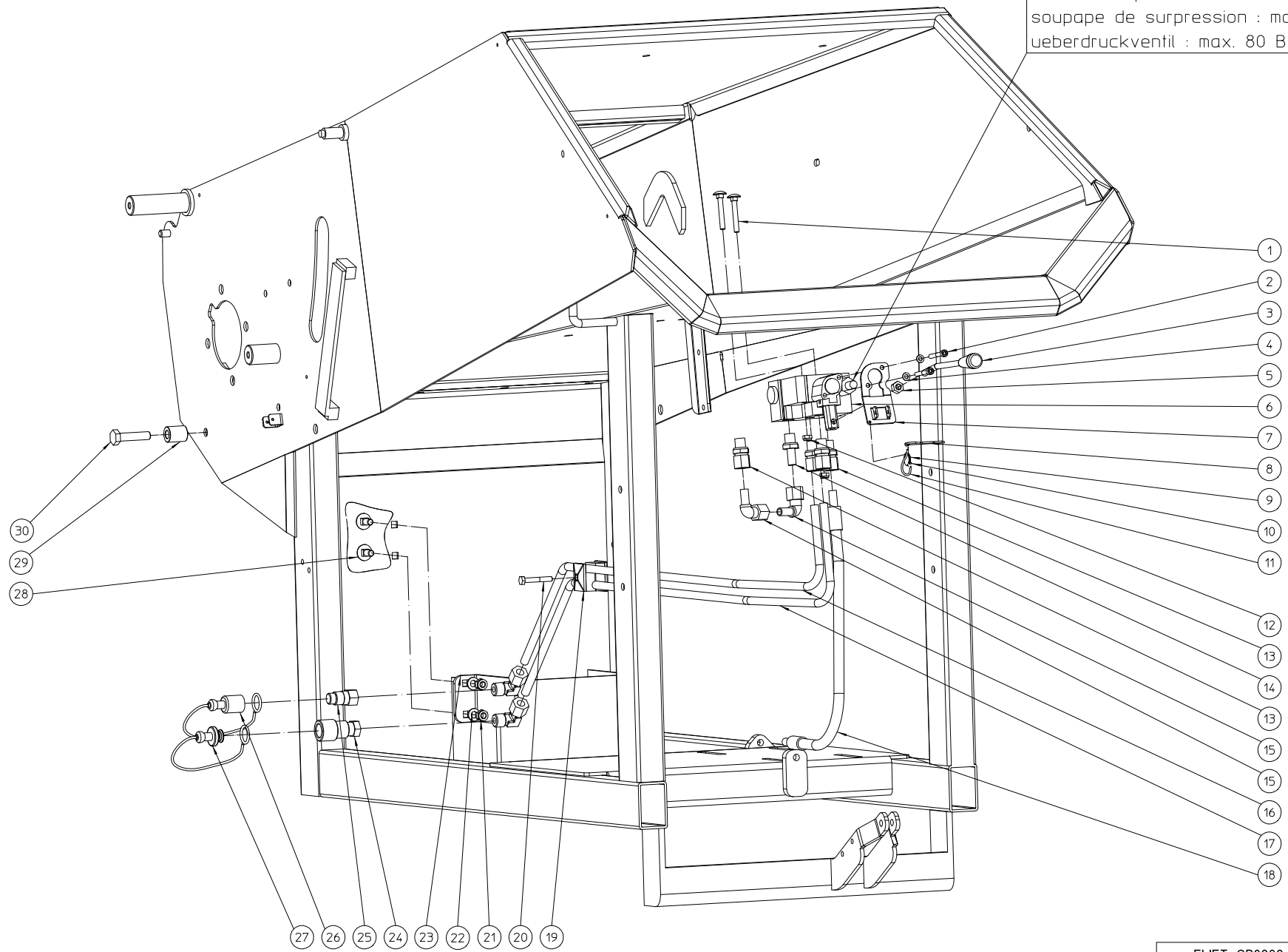


ELIET SP2000 -- GENERAL							
NO	MMA 01 070 100	REV	1	DATE	2009/10/13		

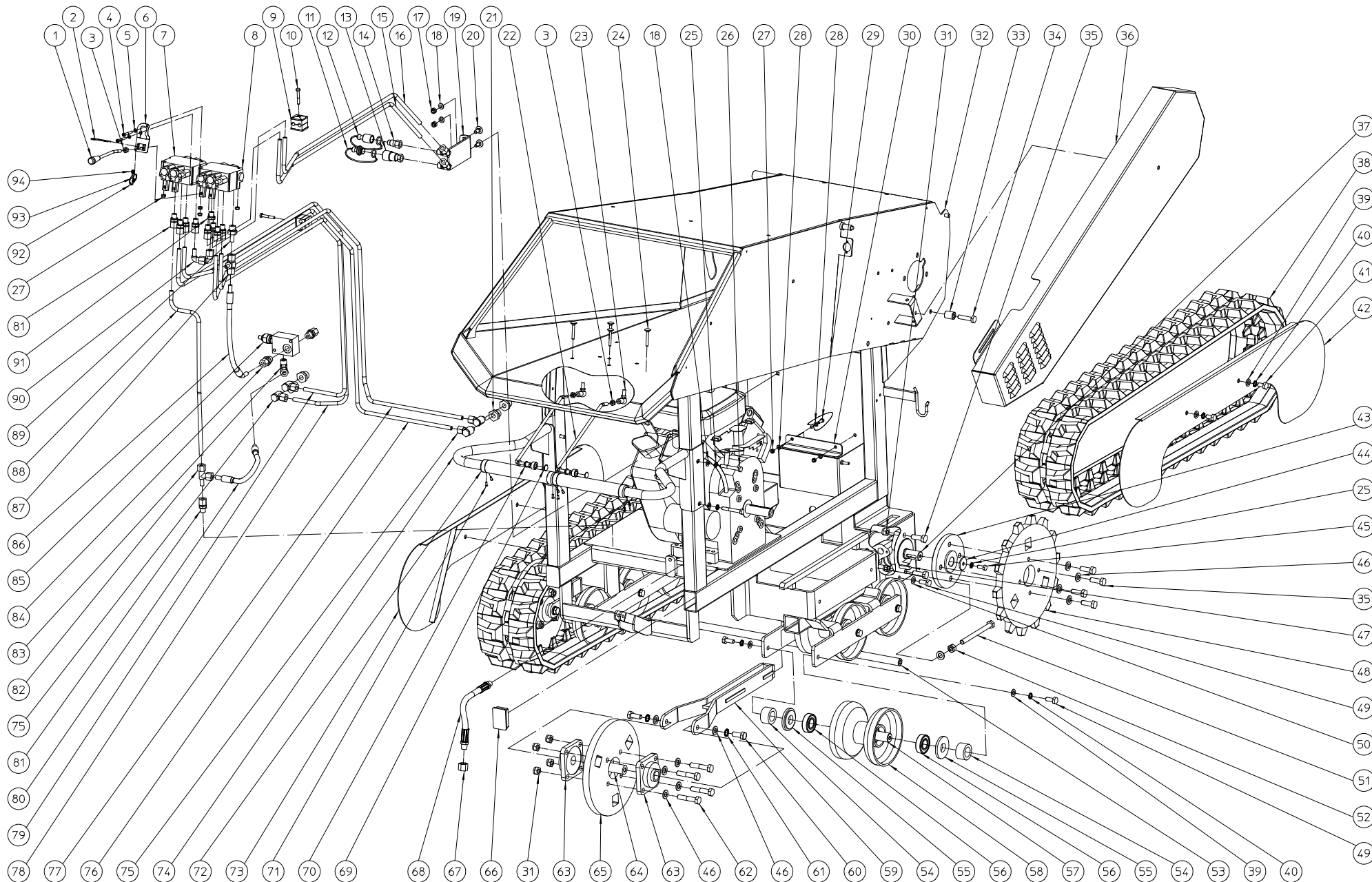
#	Order nr	article description	quantity
160	MMA 01 070 160	hydro kit conveyor belt	1
170	MMA 01 070 170	cross country	1
180	MMA 01 070 180	engine governor	1
210	MMA 01 070 210	conveyor belt 1m40	1
220	MMA 01 070 220	conveyor belt 2m	1

relief valve : max. 80 BAR  
 overdrukklep : max. 80 BAR  
 soupape de surpression : max. 80 BAR  
 ueberdruckventil : max. 80 BAR



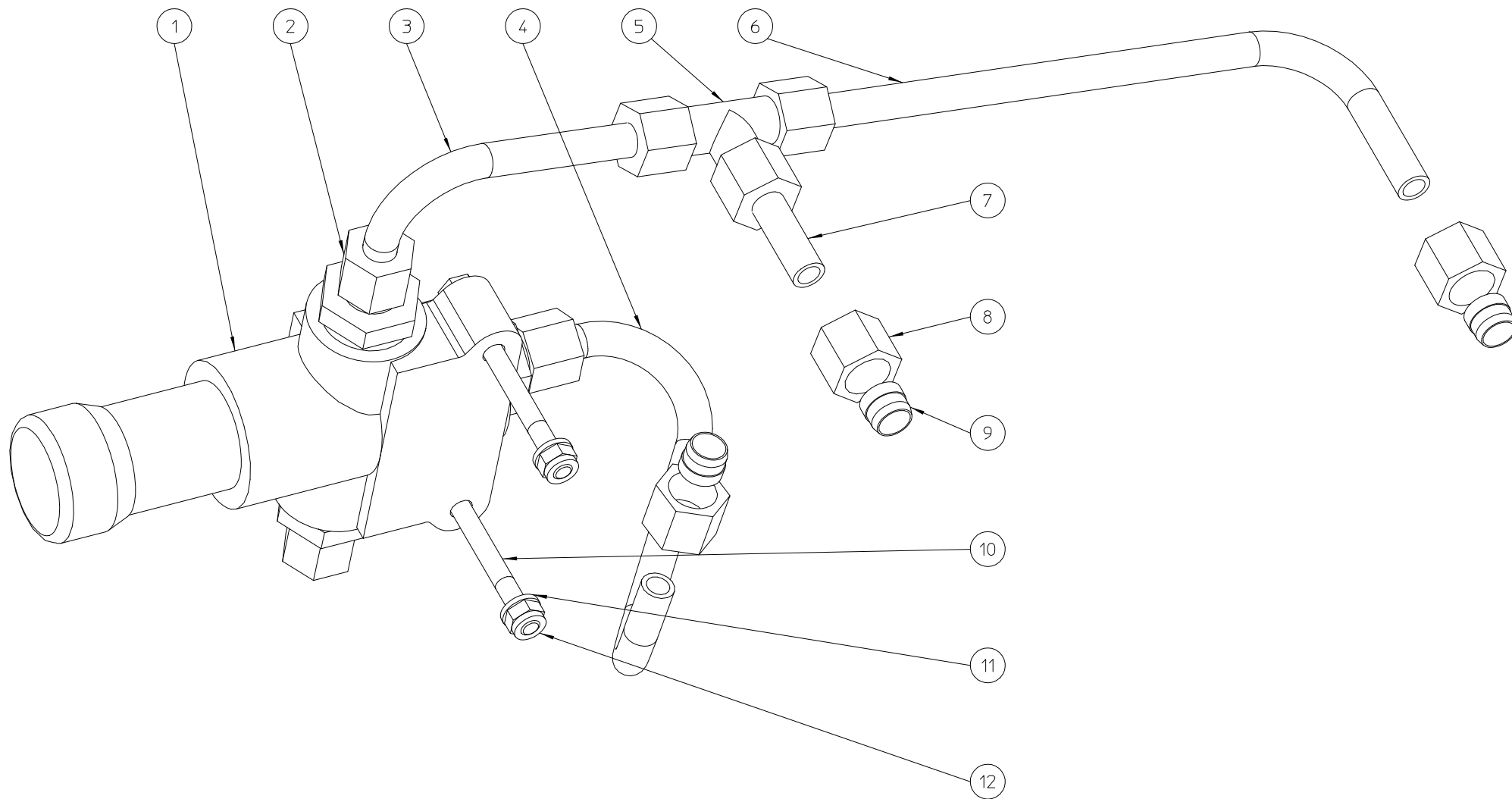
ELIET SP2000 -- CONVEYOR BELT					
NO	MMA 01 070 160	REV	1	DATE	2009/10/13

#	Order nr	article description	quantity
1	BS 554 100 641	bolt m6x45 din 603	2
2	BS 521 100 640	screw m6x40 din 912	2
3	BH 409 002 004	control lever hydro-valve	1
4	BS 531 000 500	washer m5 din 125	2
5	BS 501 000 800	nut m8 din 934	1
6	BH 400 001 000	hydraulic valve bm 20/1 1/4" a1	1
7	MPA 01 060 720	clutching plate	1
8	BB 040 102 040	hairpin cotter 2mm din 11024	1
9	BY 516 000 020	split ring 16mm	1
10	BY 516 000 010	yoke pearl chain	2
11	BY 516 364 000	pearl chain 3,6mm 40mm	1
12	BS 502 000 600	self locking nut m6 din 985	2
13	BH 509 211 004	male stud coupling 10lx1/4"	4
14	BH 512 611 004	standpipe adaptor 10lx1/4"	1
15	BH 511 911 000	angular rotary fitting 10l	2
16	MPA 01 060 700	hydraulic pipe bottom	1
17	MPA 01 060 690	hydraulic pipe top	1
18	BH 551 040 440	flexible hydraulic hose 1/4"x445	1
19	BH 711 020 010	pipe clamp b-10mm ass.	1
20	BS 511 000 640	bolt m6x40 din 931	1
21	BS 502 000 800	self locking nut m8 din 985	2
22	BS 531 000 800	washer m8 din 125	2
23	MPA 01 060 650	support hydraulic pipe	1
24	BH 562 104 000	quick-release coupling 1/4" (female)	1
25	BH 561 104 000	quick-release coupling 1/4" (male)	1
26	BH 561 104 001	dust protection for coupling sleeve 1/4"	1
27	BH 562 104 001	dust protection for coupling sleeve 1/4"	1
28	BS 554 100 820	bolt m8x20 din 603	2
29	MPA 01 060 660	attaching part conveyor	1
30	BS 512 001 041	bolt m10x45 din 933	2



#	Order nr	article description	quantity
1	BH 409 002 004	control lever hydro-valve	1
2	BB 040 102 040	hairpin cotter 2mm din 11024	1
3	BS 501 000 800	nut m8 din 934	3
4	BS 521 100 640	screw m6x40 din 912	2
5	BS 531 000 500	washer m5 din 125	2
6	MPA 01 060 720	clutching plate	1
7	BH 400 006 000	hydraulic valve bm 20/2 1/4" a1 y8	1
8	BH 400 005 000	hydraulic valve bm 20/2 1/4" a1 a8	1
9	BH 711 020 010	pipe clamp b-10mm ass.	2
10	BS 511 000 640	bolt m6x40 din 931	2
11	BH 562 104 001	dust protection for coupling sleeve 1/4"	1
12	BH 561 104 001	dust protection for coupling sleeve 1/4"	1
13	BH 562 104 000	quick-release coupling 1/4" (female)	1
14	BH 561 104 000	quick-release coupling 1/4" (male)	1
15	MPA 01 060 690	hydraulic pipe top	1
16	MPA 01 060 700	hydraulic pipe bottom	1
17	BS 502 000 800	self locking nut m8 din 985	2
18	BS 531 000 800	washer m8 din 125	6
19	MPA 01 060 650	support hydraulic pipe	1
20	BS 554 100 820	bolt m8x20 din 603	2
21	BH 514 100 804	reduction stud (m-f) 1/2"-1/4"	4
22	MPA 01 070 380	link rod traction control	2
23	BA 230 010 800	ball joint m8	2
24	BS 554 100 641	bolt m6x45 din 603	4
25	BS 534 000 800	lock washer m8 din 6798a	6
26	BS 511 000 844	bolt m8x60 din 931	4
27	BS 502 000 600	self locking nut m6 din 985	6
28	BS 531 000 600	washer m6 din 125	4
29	BS 512 000 616	bolt m6x16 din 933	2
30	MPA 01 070 970	square battery	1
31	BS 502 001 200	self locking nut m12 din 985	12
32	MPA 01 070 850	chassis	1
33	MPA 01 060 660	attaching part conveyor	1
34	BS 512 001 041	bolt m10x45 din 933	2
35	BS 512 001 235	bolt m12x35 din 933	12
36	MPA 01 070 860	protection belt	1
37	BH 331 425 000	hydraulic engine epm n 250cc	2
38	BW 818 072 370	crawler track	2
39	BS 531 001 000	washer m10 din 125	16
40	BS 534 001 000	lock washer m10 din 6798a	16
41	BS 512 001 020	bolt m10x20 din 933	4
42	MPA 01 070 990	protection right	1
43	BA 281 504 502	hub rear wheel Ø12,5mm	2
44	BS 532 008 356	washer m8x35x3	2
45	BS 512 000 820	bolt m8x20 din 933	2
46	BS 531 001 200	washer m12 din 125	22
47	BB 341 080 735	key 8x7x35 din 6880	2
48	MPA 01 070 880	back wheel	2
49	BS 512 001 025	bolt m10x25 din 933	14
50	BV 101 020 200	disc springs 20x10x1 din2093a	2
51	BS 512 001 255	bolt m12x150 din 933	2
52	BS 501 001 200	nut m12 din 934	2

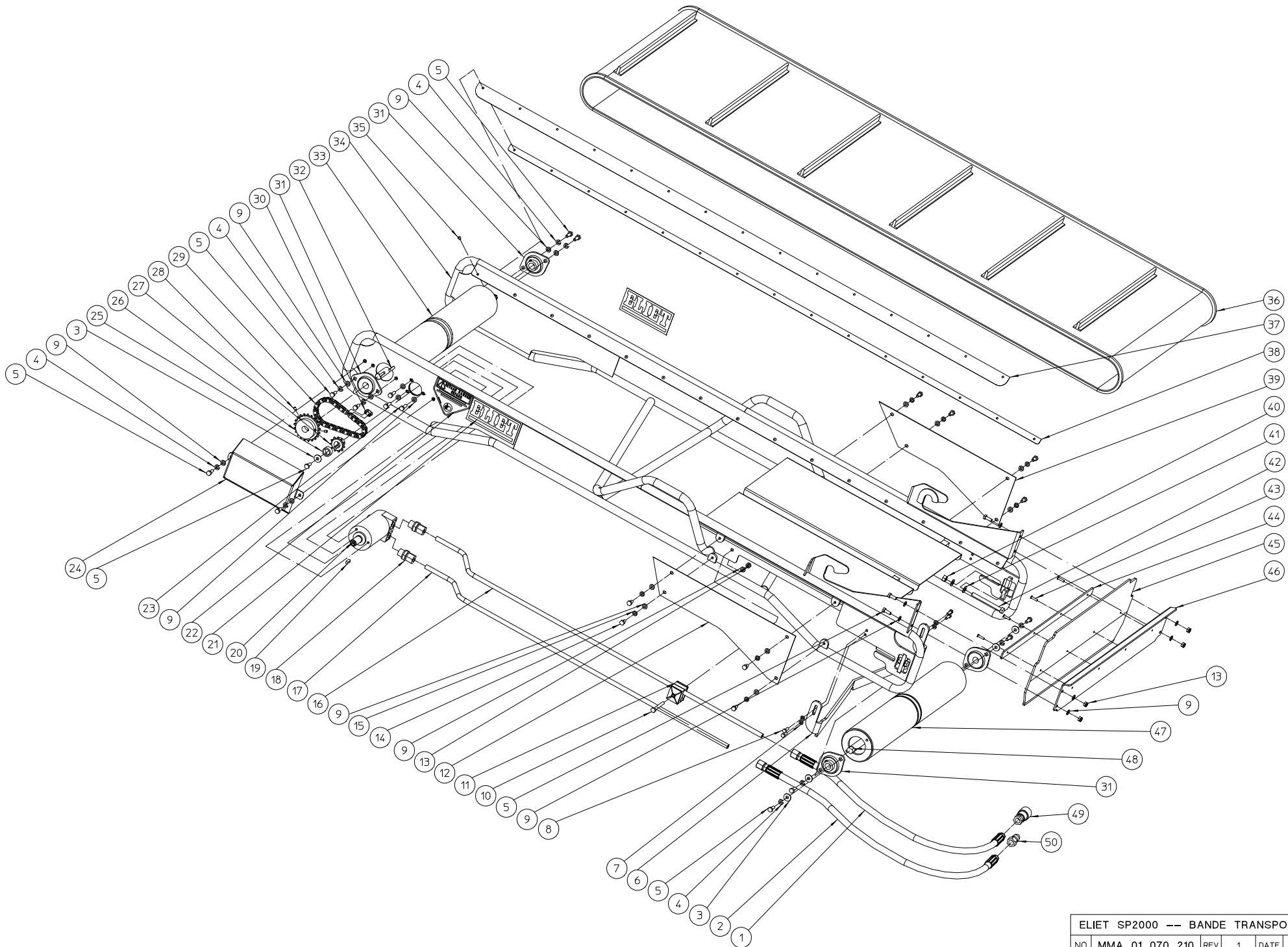
53	MPA 01 071 010	torque shaft	1
54	BR 111 292 510	nylon bushing (28.5/44x25)	12
55	MPA 01 071 030	washer	12
56	BL 002 505 203	bearing 6205 zz	12
57	MPA 01 071 040	axle idler	6
58	MPA 01 071 020	idler	6
59	MPA 01 071 000	tightener	2
60	BS 512 001 230	bolt m12x30 din 933	4
61	BS 534 001 200	lock washer m12 din 6798a	4
62	BS 511 001 244	bolt m12x60 din 931	8
63	BL 711 272 505	bearing ufc205	4
64	MPA 01 070 980	axle front wheel	2
65	MPA 01 070 890	front wheel	2
66	BR 021 160 400	cap 60x40	2
67	BT 174 150 600	terminal nut 3/8"	1
68	BH 551 060 320	flexible hydraulic hose 3/8"x320	1
69	BB 011 000 080	starlock 8mm	2
70	BR 112 081 300	nylon bushing with collar (8/11/16x13/2)	2
71	BB 221 104 100	pop plug alu 3.9x10 din 7337 a	8
72	BR 910 000 010	nylon bushing with collar (25/30/34x30/15)	4
73	MPA 01 070 900	protection left	1
74	MPA 01 070 870	steer cross country	1
75	BH 513 111 004	banjo 10lx1/4"	4
76	MPA 01 070 570	hydraulic pipe (forward drive left)	1
77	MPA 01 070 560	hydraulic pipe (reverse drive left)	1
78	MPA 01 070 540	hydraulic pipe (reverse drive right)	1
79	MPA 01 070 550	hydraulic pipe (forward drive right)	1
80	BH 551 040 460	flexible hydraulic hose 1/4"x460	1
81	BH 509 211 004	male stud coupling 10lx1/4"	9
82	BH 512 111 000	rotary l-fitting female 10l	1
83	BH 509 411 006	stud elbows 10lx3/8"	1
84	BH 509 211 006	male stud coupling 10lx3/8"	2
85	BH 430 120 600	relief valve 3/8"	1
86	BH 551 040 480	flexible hydraulic hose 1/4"x480	1
87	BH 563 000 100	manometer coupler 10lxm16x2	1
88	MPA 01 070 480	hydraulic pipe (pump return)	1
89	BH 512 631 006	standpipe adaptor 10sx3/8"	1
90	BH 511 911 000	angular rotary fitting 10l	2
91	BH 512 611 004	standpipe adaptor 10lx1/4"	1
92	BY 516 364 000	pearl chain 3,6mm 40mm	1
93	BY 516 000 020	split ring 16mm	1
94	BY 516 000 010	yoke pearl chain	2



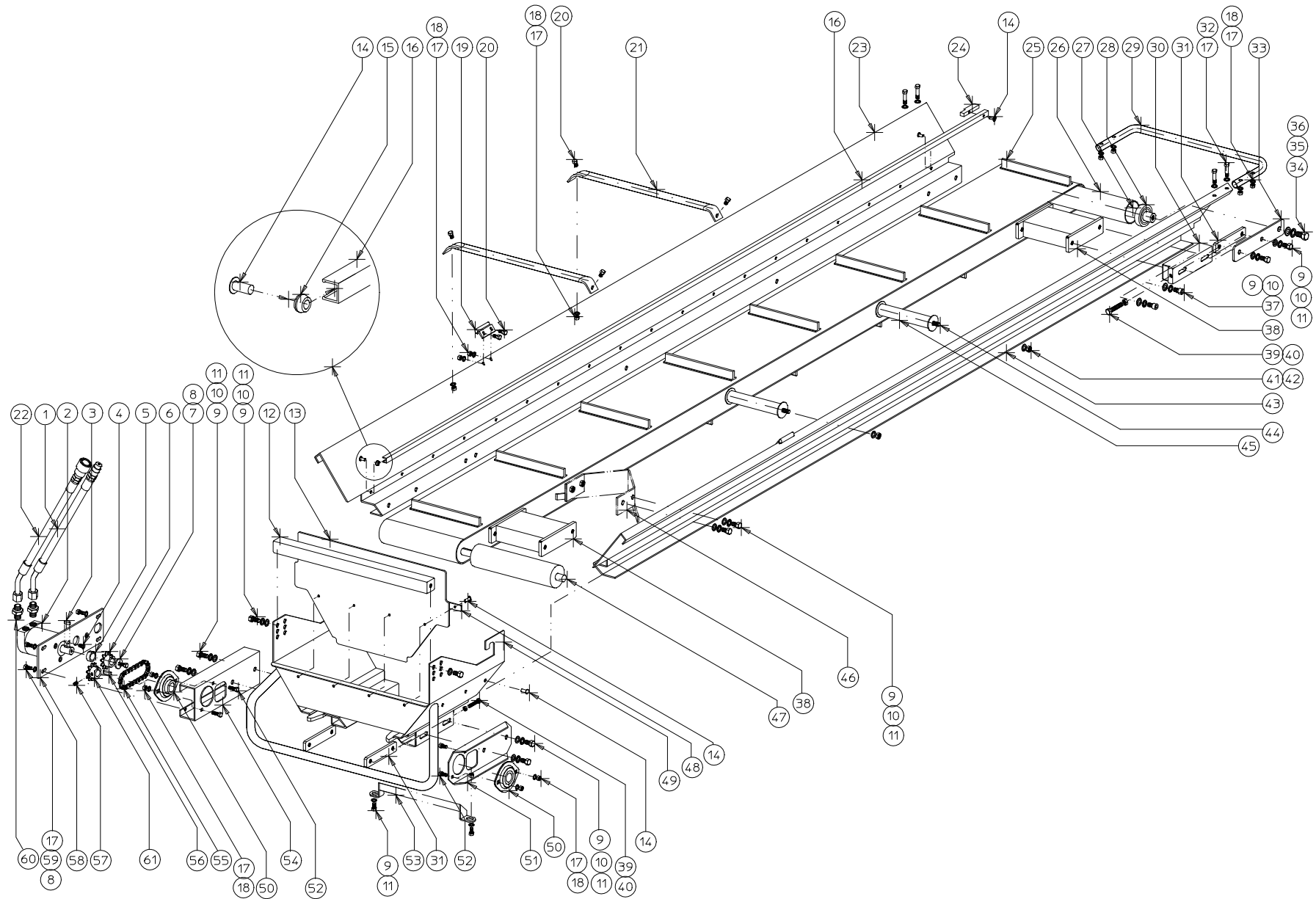
ELIET SP2000 -- FEED-IN GOVERNOR				
NO	MMA 01 070 180	REV	1	DATE 2009/10/13



#	Order nr	article description	quantity
1	BH 430 012 200	speed controller mtkavar	1
2	BH 509 221 022	male stud coupling 10lxm22	3
3	MPA 01 070 750	hydraulic pipe flow controller output =>c	1
4	MPA 01 070 740	hydraulic pipe flow controller input =>a	1
5	BH 510 011 000	equal tee 10l	1
6	MPA 01 070 770	hydraulic pipe flow controller output =>elec.	1
7	MPA 01 070 760	hydraulic pipe flow controller input =>dis.	1
8	BH 508 121 000	nut 10l	3
9	BH 508 821 000	cutting ring 10ls	3
10	BS 511 000 646	bolt m6x70 din 931	2
11	BS 531 000 600	washer m6 din 125	2
12	BS 502 000 600	self locking nut m6 din 985	2



#	Order nr	article description	quantity
1	BH 551 040 670	flexible hydraulic hose 1/4"x670	1
2	BH 551 040 750	flexible hydraulic hose 1/4"x750	1
3	BS 532 006 183	washer m6x18x1.5	5
4	BS 533 000 600	lock washer m6 din 127b	10
5	BS 512 000 616	bolt m6x16 din 933	15
6	MPA 01 071 150	scraper	1
7	BS 531 000 500	washer m5 din 125	4
8	BS 512 000 516	bolt m5x16 din 933	4
9	BS 531 000 600	washer m6 din 125	26
10	BS 512 000 642	bolt m6x50 din 933	1
11	BH 711 020 010	pipe clamp b-10mm ass.	1
12	MPA 01 071 210	side shield left	1
13	BS 502 000 600	self locking nut m6 din 985	5
14	BS 512 000 612	bolt m6x12 din 933	8
15	BS 534 000 600	lock washer m6 din 6798a	8
16	MPA 01 071 190	hydraulic piping 2	1
17	MPA 01 071 180	hydraulic pipe	1
18	BH 509 211 006	male stud coupling 10lx3/8"	2
19	BB 351 050 516	key 5x5x16 din 6885a	1
20	BH 331 203 210	hydraulic engine epmm 32cc	1
21	BQ 501 010 020	sticker eliet 130x60	2
22	BQ 505 010 070	safety sticker 100x80 (hand cuts)	1
23	BS 512 000 620	bolt m6x20 din 933	3
24	MPA 01 071 170	protection cover	1
25	MPA 01 070 430	spacer ring	1
26	BA 161 021 151	sprocket simplex 3/8"x7/32" 21t	1
27	BA 161 011 161	sprocket simplex 3/8"x7/32" 11t	1
28	BS 023 000 506	set screw m5x6 din 916	2
29	BA 101 032 010	chain simplex 3/8"x7/32" 32l	1
30	BA 151 200 000	connecting chain link simplex 3/8"x7/32"	1
31	BL 801 101 500	bearing + flanges aspfl 202	4
32	BB 341 050 520	key 5x5x20 din 6880	1
33	MPA 01 070 121	traction wheel	1
34	MPA 01 071 100	chassis	1
35	BB 221 104 100	pop plug alu 3.9x10 din 7337 a	30
36	BY 431 150 305	conveyer sp2000 1m40	1
37	BR 920 000 020	rubber seal	2
38	MPA 01 071 220	support back	2
39	MPA 01 071 200	side shield right	1
40	BS 501 000 800	nut m8 din 934	2
41	BS 531 000 800	washer m8 din 125	4
42	BS 512 000 848	bolt m8x80 din 933	2
43	BB 221 104 160	pop plug alu 3.9x16 din 7337 a	4
44	MPA 01 071 140	fixation bar rubber mat	1
45	BR 900 001 360	rubber matting	1
46	MPA 01 071 130	fixation plate rubber mat	1
47	MPA 01 071 111	tensioning roller	1
48	MPA 01 071 160	axle turnbuckle	1
49	BH 562 104 000	quick-release coupling 1/4" (female)	1
50	BH 561 104 000	quick-release coupling 1/4" (male)	1



ELIET SP2000 -- CONVEYOR BELT				
NO	MMA 01 070 220	REV	1	DATE 2009/03/27

#	Order nr	article description	quantity
1	BH 551 040 450	flexible hydraulic hose 1/4"x545	1
2	BH 331 203 210	hydraulic engine epmm 32cc	1
3	BB 351 050 516	key 5x5x16 din 6885a	1
4	BS 522 100 616	screw m6x16 din 7991	3
5	MPA 01 070 430	spacer ring	1
6	BA 161 011 161	sprocket simplex 3/8"x7/32" 11t	1
7	BS 531 200 600	washer m6 din 7349	1
8	BS 512 000 616	bolt m6x16 din 933	6
9	BS 531 000 800	washer m8 din 125	1
10	BS 534 000 800	lock washer m8 din 6798a	2
11	BS 512 000 820	bolt m8x20 din 933	1
12	MPA 01 060 500	bar for height control	1
13	MPA 01 060 620	rubber protection	1
14	BB 221 005 100	pop plug steel 4.8x10 din 7337 a	46
15	BY 203 000 100	alu. mounting stud	36
16	MPA 01 060 540	alu. belt guide	1
17	BS 531 000 600	washer m6 din 125	1
18	BS 502 000 600	self locking nut m6 din 985	8
19	MPA 01 060 640	latch grip for transport	2
20	BS 522 500 616	screw m6x16 iso 7380	4
21	MPA 01 060 520	grip to lift conveyor	2
22	BH 551 040 430	flexible hydraulic hose 1/4"x525	1
23	MPA 01 060 400	chassis left side	1
24	MPA 01 060 530	nylon belt guide	2
25	BY 431 125 250	conveyer sp2000	1
26	MPA 01 060 560	idler roller	1
27	MPA 01 060 570	shaft idler roller	1
28	BL 002 004 203	bearing 6004 zz	2
29	MPA 01 060 510	protection bracket conveyor	1
30	MPA 01 060 460	tension regulator of the belt	2
31	MPA 01 060 480	clamp	4
32	BS 512 000 630	bolt m6x30 din 933	4
33	MPA 01 060 470	top roller bracket	2
34	BS 531 001 000	washer m10 din 125	2
35	BS 534 001 000	lock washer m10 din 6798a	2
36	BS 512 001 020	bolt m10x20 din 933	2
37	BS 521 100 820	screw m8x20 din 912	8
38	MPA 01 060 420	frame support bracket	2
39	BS 501 000 800	nut m8 din 934	8
40	BS 511 000 842	bolt m8x50 din 931	4
41	BS 532 008 356	washer m8x35x3	4
42	BS 502 000 800	self locking nut m8 din 985	6
43	MPA 01 060 410	chassis right side	1
44	BS 581 000 820	stud m8x200 din 975	1
45	MPA 01 060 430	frame support tube	2
46	MPA 01 060 440	belt scraper conveyor	1
47	MPA 01 060 550	driven roller	1
48	MPA 01 060 630	retainer for rubber protection	1
49	MPA 01 060 490	frame body conveyor	1
50	BL 801 101 500	bearing + flanges aspfl 202	2
51	MPA 01 060 590	traction roller bracket	2
52	BS 554 100 616	bolt m6x16 din 603	1

53	MPA 01 060 450	roller scraper	1
54	MPA 01 060 580	transmission housing	4
55	BA 101 020 010	chain simplex 3/8"x7/32" 20l	1
56	BB 341 050 516	key 5x5x16 din 6880	1
58	MPA 01 060 600	hydro engine plate	1
59	BS 534 000 600	lock washer m6 din 6798a	1
60	BH 509 251 006	male stud coupling 10lx3/8" bo	1
61	BA 161 011 151	sprocket simplex 3/8"x7/32" 11t	8