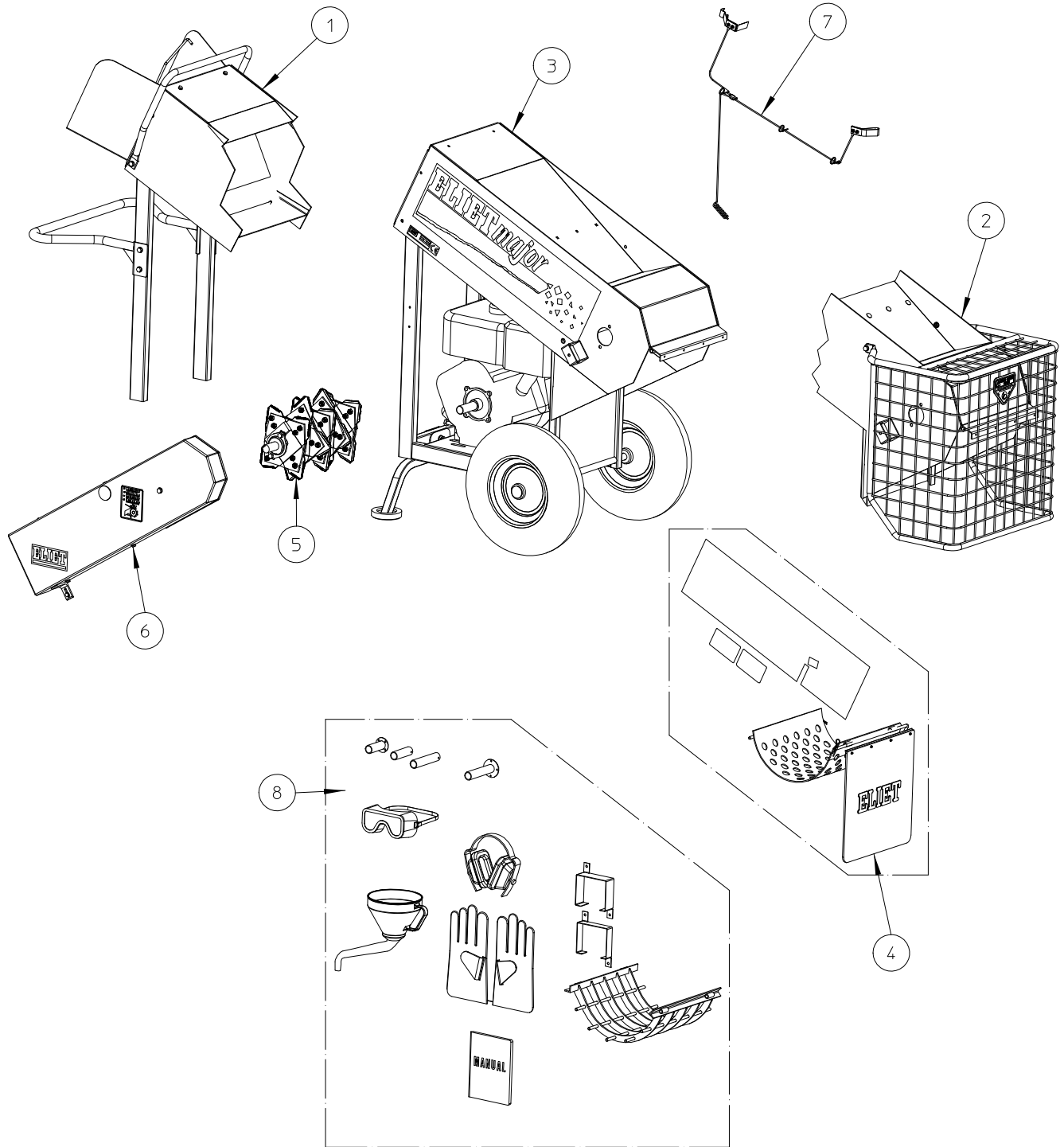


ELIET

MAJOR



ELIET MAJOR -- GENERAL					
NO	MMA-01.040.100	REV	1	DATE	2006/06/15

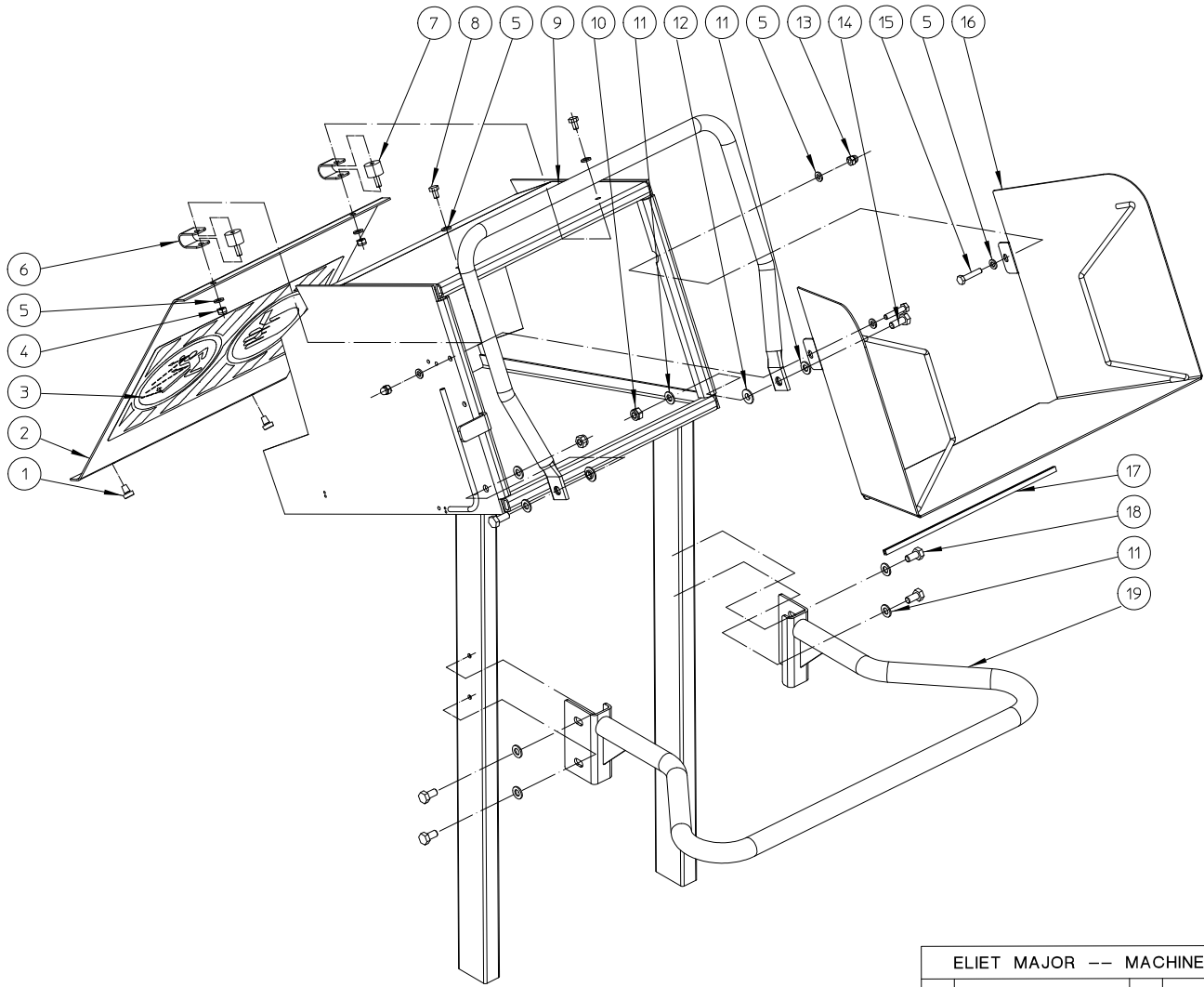
ELIET SPARE PARTS MANUAL

MAJOR

GENERAL OVERVIEW ASSEMBLYLISTS

MMA 01 040 100-1

	LIST NUMBER	DESCRIPTION	DRAWING NR.	BUILT AFTER
1	ASSEMBLYLIST 1	MACHINE FRONT SIDE	MMA 01 040 110-1	01/01/1995
2	ASSEMBLYLIST 2	SAFETY GUARD	MMA 01 040 120-1	01/01/1995
3	ASSEMBLYLIST 3	CHASSIS	MMA 01 040 130-1	01/01/1995
4	ASSEMBLYLIST 4	MACHINE REAR SIDE	MMA 01 040 140-1	01/01/1995
5	ASSEMBLYLIST 5	ROTOR	MMA 01 040 150-1	01/01/1995
6	ASSEMBLYLIST 6	TRANSMISSION	MMA 01 040 160-1	01/01/1995
7	ASSEMBLYLIST 7	ELECTRICAL SYSTEM	MMA 01 040 170-1	01/01/1995
8	ASSEMBLYLIST 8	ELECTRICAL SYSTEM	MMA 01 040 170-2	01/01/2002
9	ASSEMBLYLIST 9	ACCESSORIES	MMA 01 040 180-1	01/01/1995



ELIET MAJOR -- MACHINE FRONT SIDE					
NO	MMA-01.040.110	REV	1	DATE	2006/06/15

ELIET SPARE PARTS MANUAL

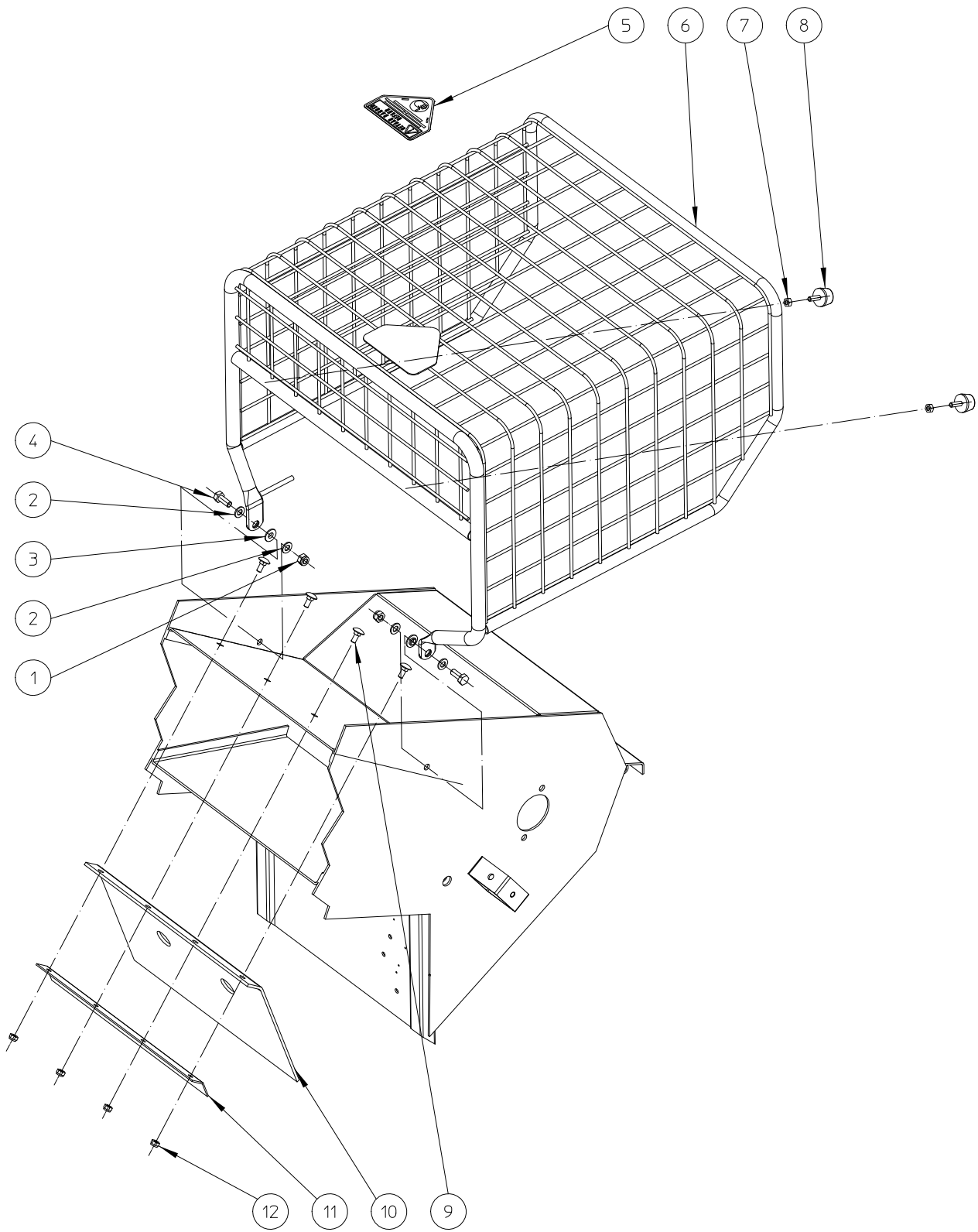
MAJOR

ASSEMBLYLIST 1

MACHINE FRONT SIDE

MMA 01 040 110-1

ITEM	PART NUMBER	DESCRIPTION	QUANTITY
1	BR 602 006 151	RUBBER BUMPER	2
2	MPA 01 040 050	ANTI PROJECTION SHIELD	1
3	BQ 505 010 090	SAFETY STICKER 310X200	1
4	BS 502 000 600	SELF LOCKING NUT M6 DIN 985	2
5	BS 531 000 600	WASHER M6 DIN 125	8
6	BR 910 000 020	RETAINER ERTALON 80X20X2	2
7	BR 600 220 150	ANTIVIBRATION BLOCKS 20X15B M6X15	2
8	BS 512 000 610	BOLT M6X10 DIN 933	2
9	MPA 01 040 040	SAFETY HANDLE	1
10	BS 502 000 800	SELF LOCKING NUT M8 DIN 985	2
11	BS 531 000 800	WASHER M8 DIN 125	8
12	BR 112 080 300	NYLON BUSHING WITH COLAR (8.2/10.9/18x3.5/1.5)	2
13	BS 505 500 600	NUT M6 DIN 1587	2
14	BS 512 000 820	BOLT M8X20 DIN 933	2
15	BS 512 000 630	BOLT M6X30 DIN 933	2
16	MPA 01 040 070	HOPPER	1
17	BR 000 910 280	RUBBER U-MOULDING	1
18	BS 512 000 816	BOLT M8X16 DIN 933	4
19	MPA 01 040 020	HANDLE	1



ELIET MAJOR -- SAFETY GUARD					
NO	MMA-01.040.120	REV	1	DATE	2006/06/15

ELIET SPARE PARTS MANUAL

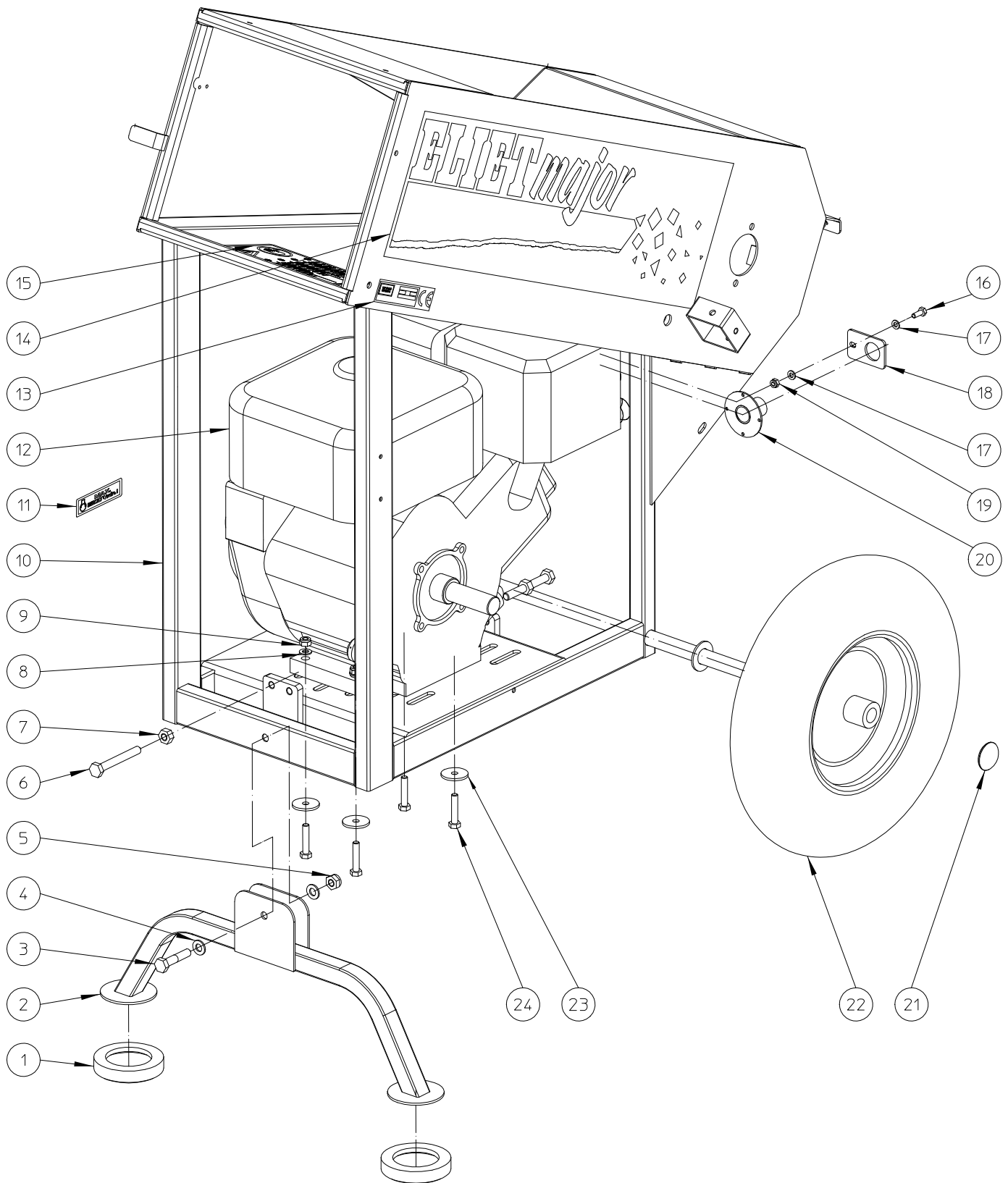
MAJOR

ASSEMBLYLIST 2

SAFETY GUARD

MMA 01 040 120-1

ITEM	PART NUMBER	DESCRIPTION	QUANTITY
1	BS 502 000 800	SELF LOCKING NUT M8 DIN 985	2
2	BS 531 000 800	WASHER M8 DIN 125	4
3	BR 112 080 300	NYLON BUSHING WITH COLAR (8.2/10.9/18x3.5/1.5)	2
4	BS 512 000 820	BOLT M8X20 DIN 933	2
5	BQ 505 010 070	SAFETY STICKER 100X80 (HANDCUTS)	1
6	MPA 01 040 060	REAR SAFETY GUARD	1
7	BS 501 000 600	NUT M6 DIN 934	2
8	BR 600 425 170	ANTIVIBRATION BLOCKS 25X17B M6X18	2
9	BS 554 100 616	BOLT M6X16 DIN 603	4
10	BR 900 001 220	RUBBER ANTI PROJECTION FLAP	1
11	MPA 01 040 220	RETAINER FOR ANTI PROJECTION FLAP	1
12	BS 502 000 600	SELF LOCKING NUT M6 DIN 985	4



ELIET MAJOR -- CHASSIS

NO	MMA-01.040.130	REV	1	DATE	2006/06/15
----	----------------	-----	---	------	------------

ELIET SPARE PARTS MANUAL

MAJOR

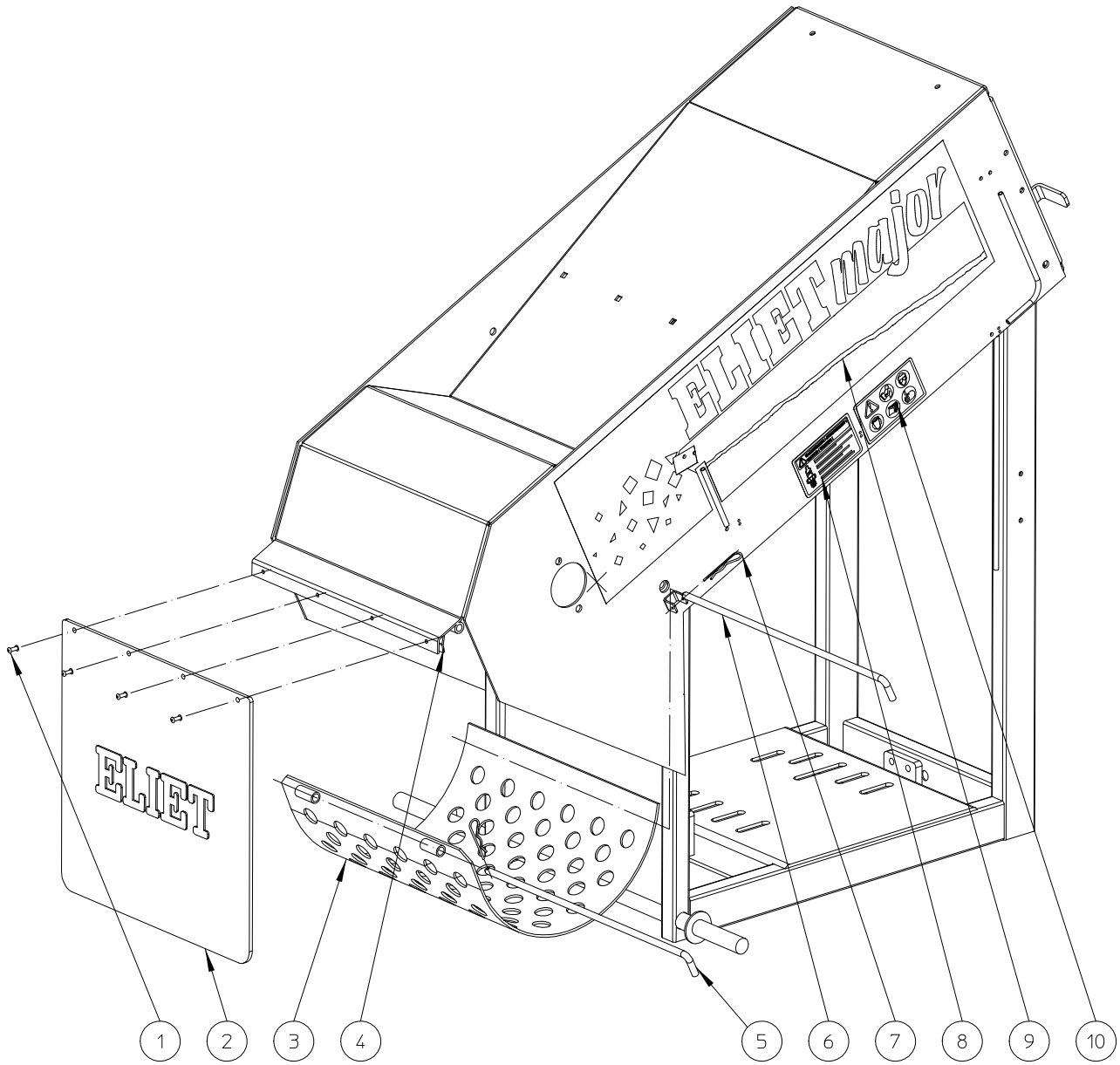
ASSEMBLYLIST 3

CHASSIS

MMA 01 040 130-1

ITEM	PART NUMBER	DESCRIPTION	QUANTITY
1	BR 900 000 110	RUBBER SOCKS DIA 90X18MM	2
2	MPA 01 040 010	FOOT	1
3	BS 511 001 042	BOLT M10X50 DIN 931	1
4	BS 531 001 000	WASHER M10 DIN 125	2
5	BS 502 001 000	SELF LOCKING NUT M10 DIN 985	1
6	BS 512 001 048	BOLT M10X80 DIN 933	2
7	BS 501 001 000	NUT M10 DIN 934	2
8	BS 531 000 800	WASHER M8 DIN 125	4
9	BS 502 000 800	SELF LOCKING NUT M8 DIN 985	4
10	MPA 01 040 030	CHASSIS 9 HP B&S VANGUARD	1
	MPA 01 040 032	CHASSIS 9 HP HONDA GX270	1
11	BQ 505 010 030	STICKER MAX 3200 RPM 90X25	1
12	ENGINE	SEE BOTTOM OF THE PAGE	1
13	BQ 505 010 010	IDENTITY STICKER CE 120X30	1
14	BQ 501 040 020	STICKER ELIET MAJOR 675X195 (R)	1
15	BQ 505 010 110	SAFETY STICKER 190X125 (INFEED)	1
16	BS 512 000 616	BOLT M6X16 DIN 933	1
17	BS 531 000 600	WASHER M6 DIN 125	2
18	MPA 01 010 050	BRACE FOR MUFFLER PIPE	1
19	BS 502 000 600	SELF LOCKING NUT M6 DIN 985	1
20	MPA 01 010 110	MUFFLER PIPE 9 HP HONDA GX270	1
	MPA 01 010 140	MUFFLER PIPE 9 HP B&S VANGUARD	1
21	BB 011 000 200	STARLOCK 20MM	2
22	BW 040 020 000	WHEEL 4.80-4	2
23	BS 532 008 356	WASHER M8X35X3	4
24	BS 512 000 840	BOLT M8X40 DIN 933	4

ENGINE	BM 202 109 000	HONDA GX 270	9 CH
ENGINE	BM 201 309 000	B&S VANGUARD	9 CH



ELIET MAJOR -- MACHINE REAR SIDE

NO	MMA-01.040.140	REV	1	DATE	2006/06/15
----	----------------	-----	---	------	------------

ELIET SPARE PARTS MANUAL

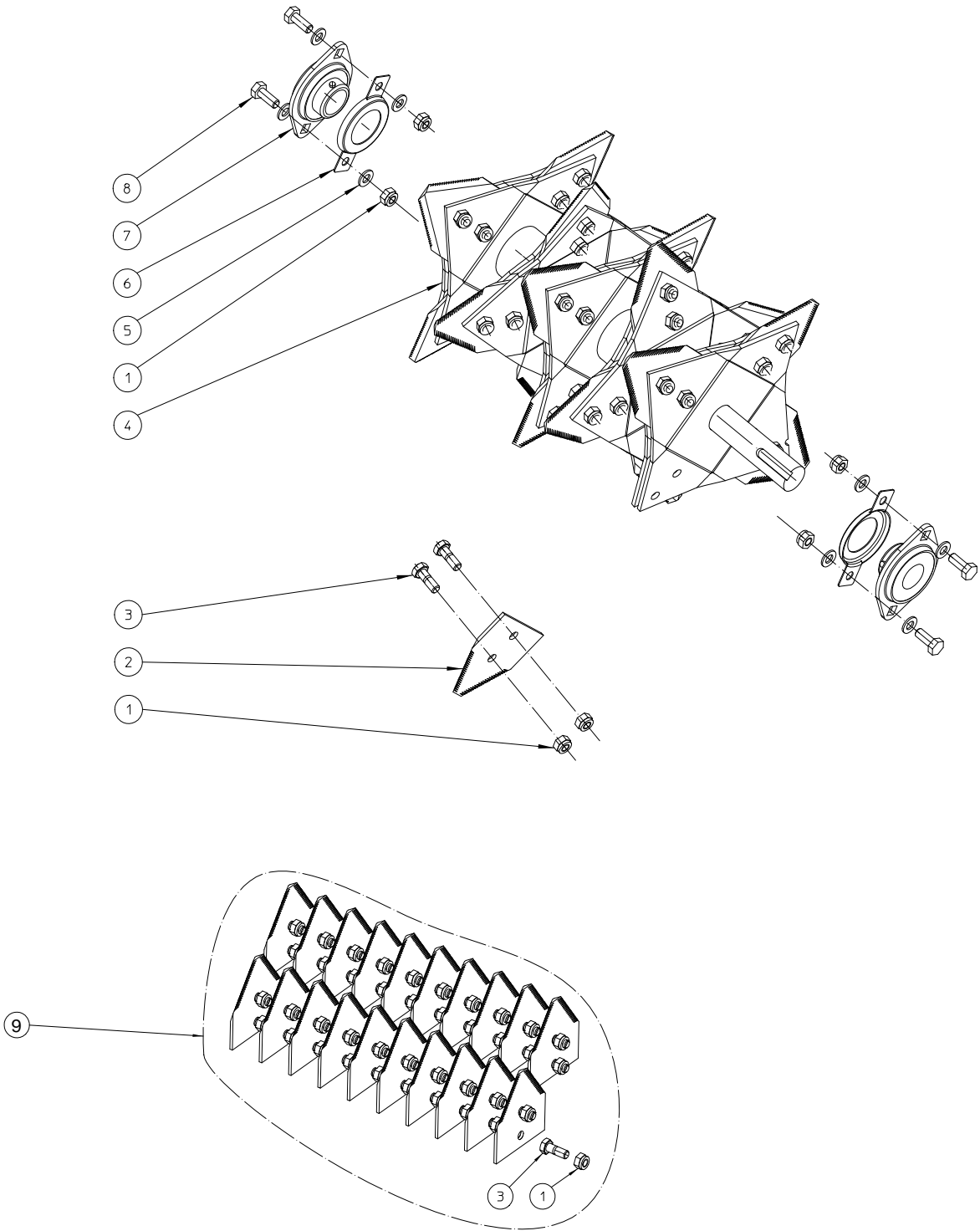
MAJOR

ASSEMBLYLIST 4

MACHINE REAR SIDE

MMA 01 040 140-1

ITEM	PART NUMBER	DESCRIPTION	QUANTITY
1	BB 221 104 160	POP PLUG ALU 3.9X16 DIN 7337 A	4
2	BR 900 001 030	RUBBER ANTI PROJECTION FLAP	1
3	MPA 01 040 090	STANDARD GRATING	1
4	MPA 01 040 080	RETAINER FOR ANTI PROJECTION FLAP	1
5	MPA 01 040 130	LOCKING ROD WITH HOLE	1
6	MPA 01 040 120	LOCKING ROD WITHOUT HOLE	1
7	BB 040 102 040	HAIRPIN COTTER 2MM DIN 11024	2
8	BQ 505 010 040	SAFETY STICKER 60X100 (SPARK PLUG)	1
9	BQ 501 040 010	STICKER ELIET MAJOR 675X195 (L)	1
10	BQ 505 010 050	SAFETY STICKER 60X100 (PICTOGRAM)	1



ELIET MAJOR -- ROTOR					
NO	MMA-01.040.150	REV	1	DATE	2006/06/15

ELIET SPARE PARTS MANUAL

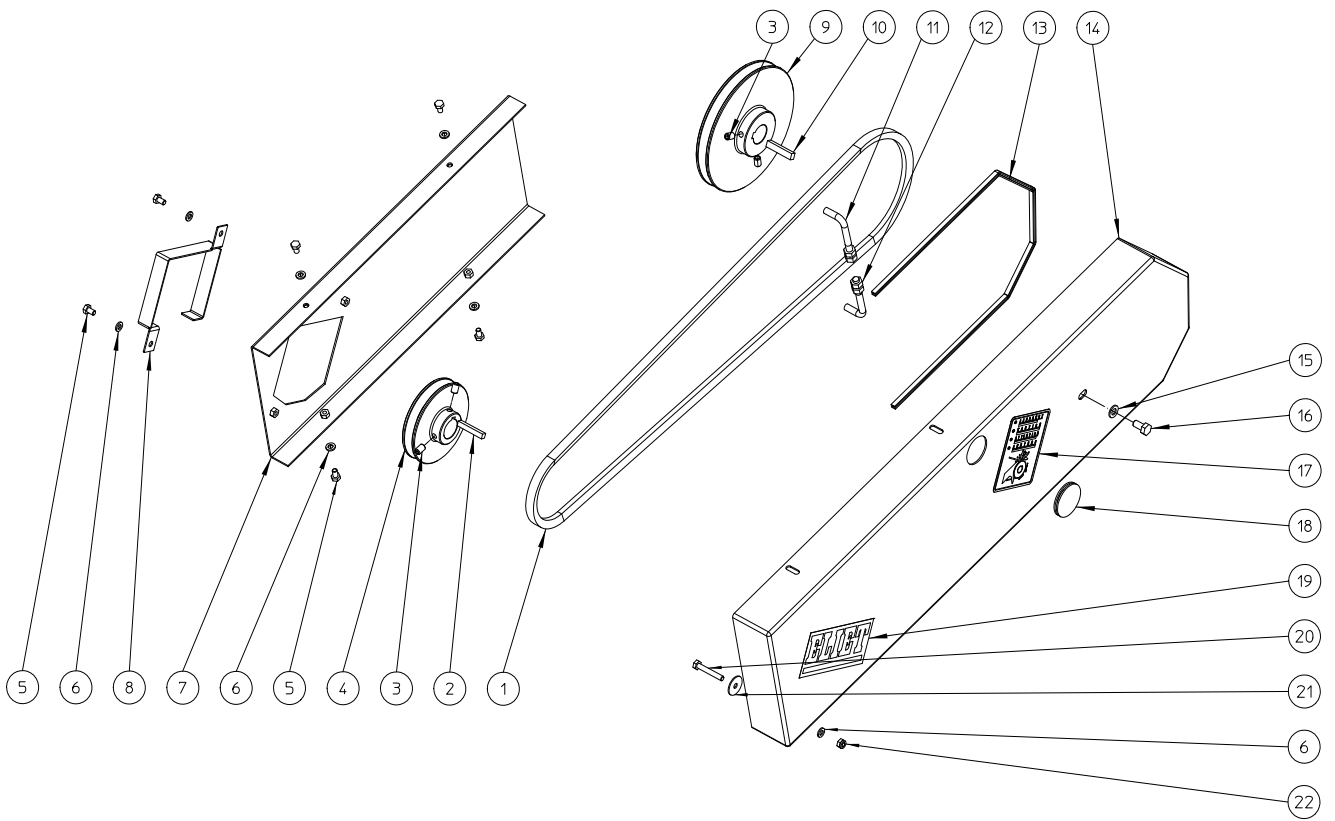
MAJOR

ASSEMBLYLIST 5

ROTOR

MMA 01 040 150-1

ITEM	PART NUMBER	DESCRIPTION	QUANTITY
1	BS 502 000 800	SELF LOCKING NUT M8 DIN 985	44
2	BU 101 200 300	KNIFE 83X76X3	20
3	BS 011 000 822	BOLT M8X22 DIN 931	40
4	MPA 01 040 500	ROTOR	1
5	BS 531 000 800	WASHER M8 DIN 125	8
6	MPA 01 010 020	BEARING PROTECTION COVER 205	2
7	BL 801 102 500	BEARING + FLANGES ASPFL 205	2
8	BS 512 000 820	BOLT M8X20 DIN 933	4
9	BU 401 200 202	SET 20 KNIFE 83X76X3	1



ELIET MAJOR -- TRANSMISSION					
NO	MMA-01.040.160	REV	1	DATE	2006/06/15

ELIET SPARE PARTS MANUAL

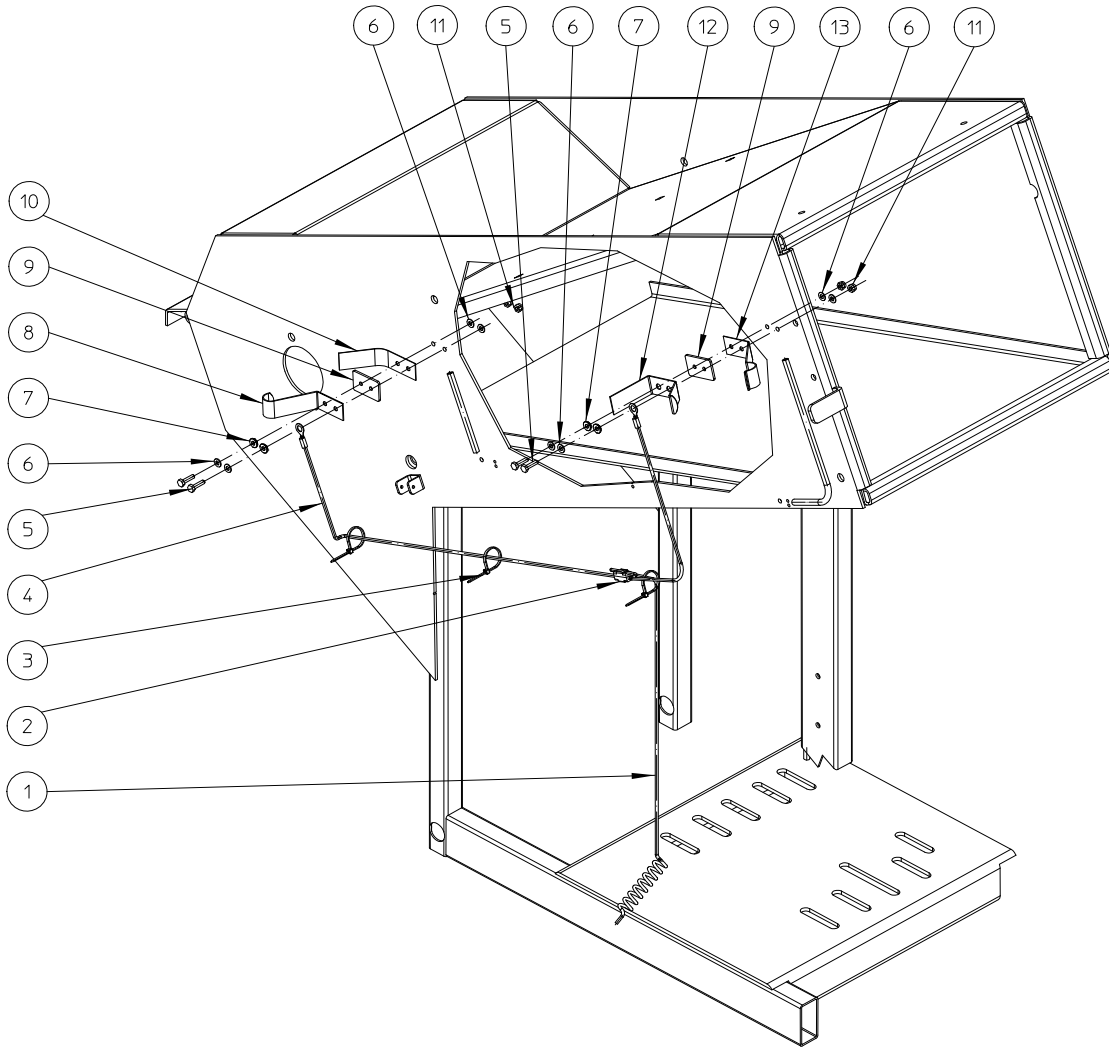
MAJOR

ASSEMBLYLIST 6

TRANSMISSION

MMA 01 040 160-1

ITEM	PART NUMBER	DESCRIPTION	QUANTITY
1	BA 521 216 000	BELT XPA 1600	1
2	BB 342 060 640	KEY 6.35X6.35X40 DIN 6880	1
3	BS 023 000 812	SET SCREW M8X12 DIN 916	4
4	BA 565 710 004	PULLEY SPA 100X25.4X6.4 (ENGINE)	1
5	BS 512 000 610	BOLT M6X10 DIN 933	6
6	BS 531 000 600	WASHER M6 DIN 125	7
7	MPA 01 030 120	TRANSMISSION GUARD (INSIDE)	1
8	MPA 01 010 150	CRANKSHAFT GUARD 20MM	1
	MPA 01 010 170	CRANKSHAFT GUARD 40MM (9 HP HONDA GX270)	1
9	BA 565 716 001	PULLEY SPA 160X25X8 (ROTOR)	1
10	BB 341 080 740	KEY 8X7X40 DIN 6880	1
11	MPA 01 010 180	V-BELT GUIDE	2
12	BS 501 000 800	NUT M8 DIN 934	4
13	BR 000 910 600	RUBBER GUARD EDGING	1
14	MPA 01 030 110	TRANSMISSION GUARD (OUTSIDE)	1
15	BS 531 000 800	WASHER M8 DIN 125	1
16	BS 512 000 816	BOLT M8X16 DIN 933	1
17	BQ 505 010 130	SAFETY STICKER 100X80 (BELT TRANSMISSION)	1
18	BR 500 103 800	RUBBER PLUG 42X38X1.6	1
19	BQ 501 010 020	STICKER ELIET 130X60	1
20	BS 512 000 640	BOLT M6X40 DIN 933	1
21	BS 532 006 253	WASHER M6X25X1.5	1
22	BS 502 000 600	SELF LOCKING NUT M6 DIN 985	1



ELIET MAJOR -- ELECTRICAL SYSTEM					
NO	MMA-01.040.170	REV	1	DATE	2006/06/15

ELIET SPARE PARTS MANUAL

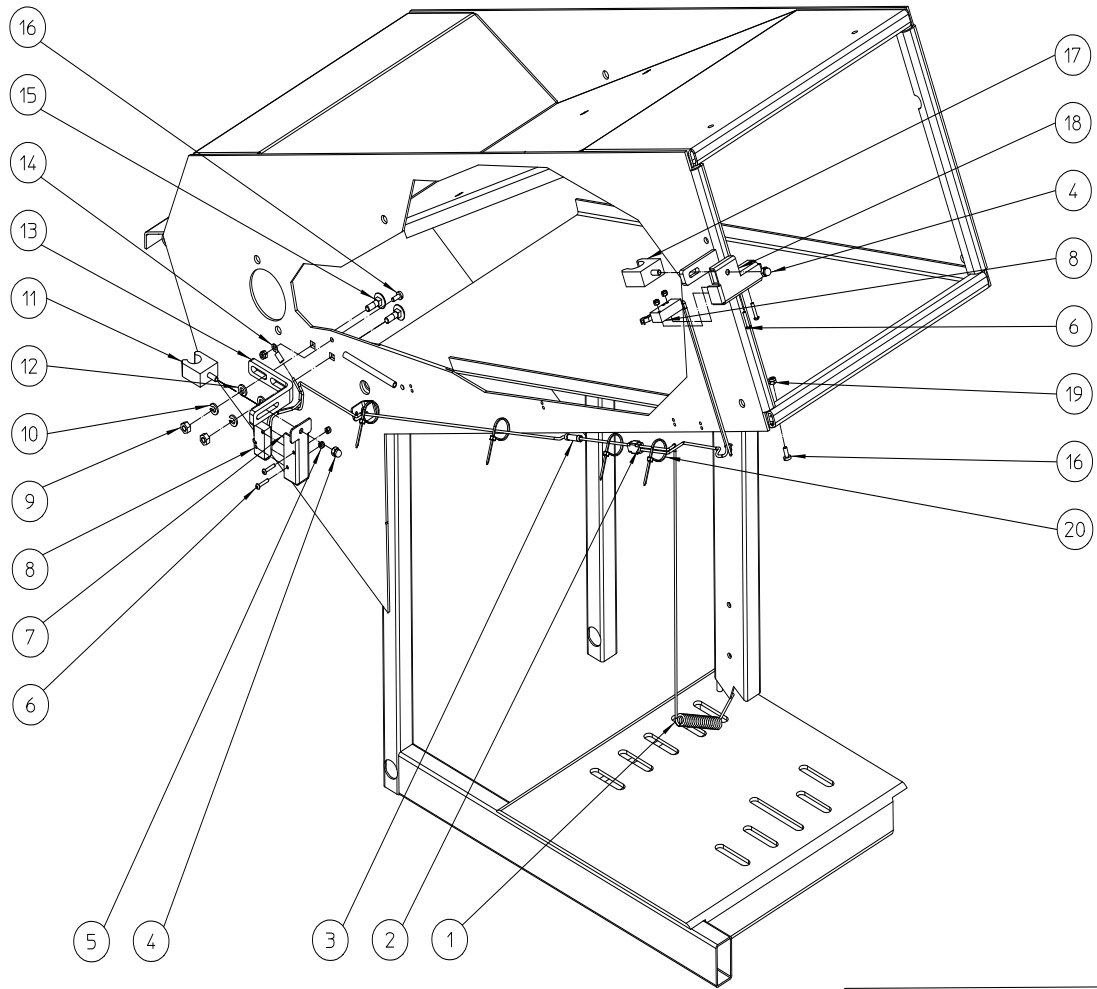
MAJOR

ASSEMBLYLIST 7

ELECTRICAL SYSTEM

MMA 01 040 170-1

ITEM	PART NUMBER	DESCRIPTION	QUANTITY
1	BE 090 231 301	RED WIRE 1.5 CE 130	1
2	BE 031 034 201	BLUE WIRE CONNECTOR 2.5MM	1
3	BE 043 010 100	WRAP TIE 100X2.5	3
4	BE 090 230 561	RED WIRE 1.5 CE 56	1
5	BS 512 000 416	BOLT M4X16 DIN 933	4
6	BS 531 000 400	WASHER M4 DIN 125	8
7	BR 112 060 300	NYLON BUSHING WITH COLAR (4.2/5.9/10x3/1.3)	4
8	BV 901 000 040	REAR SAFETY SWITCH (EARTH) PART 1	1
9	BR 737 010 010	ISOLATING PLATE PVC 36X23X2	2
10	BV 901 000 050	REAR SAFETY SWITCH (EARTH) PART 2	1
11	BS 502 000 400	SELF LOCKING NUT M4 DIN 985	4
12	BV 901 000 020	FRONT SAFETY SWITCH (HANDLE) PART 1	1
13	BV 901 000 030	FRONT SAFETY SWITCH (HANDLE) PART 2	1



ELIET MAJOR -- ELECTRICAL SYSTEM					
NO	MMA-01.040.170	REV	2	DATE	2008/02/13

ELIET SPARE PARTS MANUAL

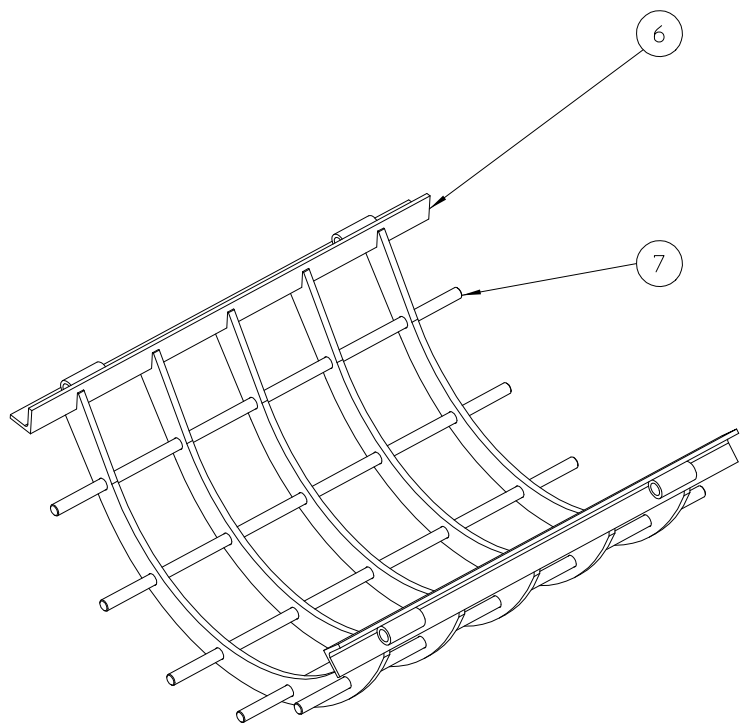
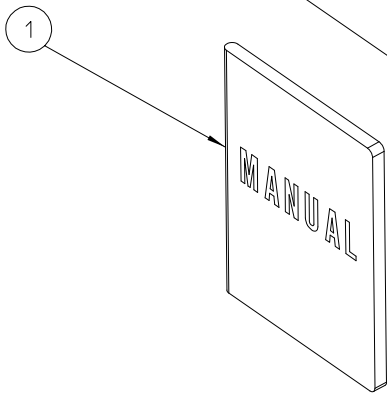
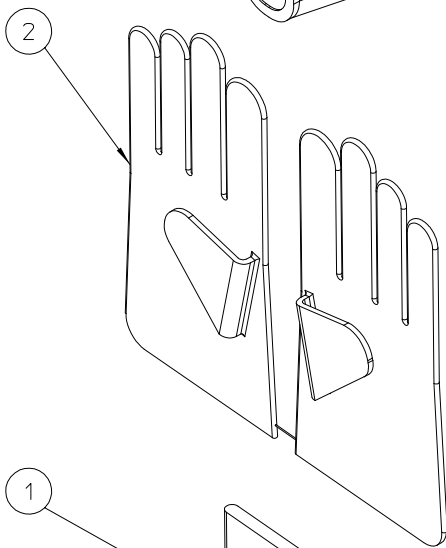
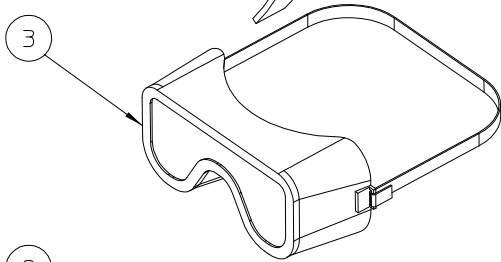
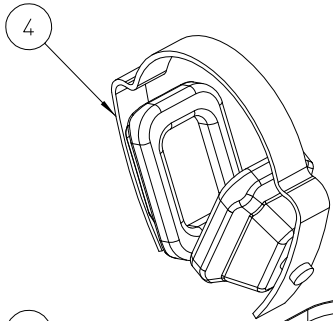
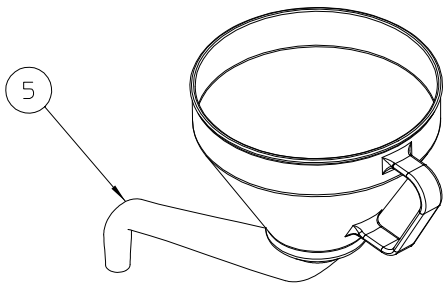
MAJOR

ASSEMBLYLIST 8

ELECTRICAL SYSTEM

MMA 01 040 170-2

ITEM	PART NUMBER	DESCRIPTION	QUANTITY
1	BE 090 231 141	RED WIRE 1.5 CE 114	1
2	BE 031 034 201	BLUE WIRE CONNECTOR 2.5MM	1
3	BE 031 013 400	CABLE CONNEXION RED	1
4	BS 505 500 500	NUT M5 DIN 1587	2
5	BS 502 000 300	SELF LOCKING NUT M3 DIN 985	4
6	BS 522 500 316	SCREW M3X16 ISO 7380	4
7	MPA 01 010 210	COVER PLATE FOR SAFETY SWITCH	1
8	BE 120 010 500	SAFETY SWITCH	2
9	BS 501 000 600	NUT M6 DIN 934	2
10	BS 533 000 600	LOCK WASHER M6 DIN 127B	2
11	BT 654 001 601	CLAM 16MM	1
12	BS 531 000 600	WASHER M6 DIN 125	2
13	MPA 01 010 220	BRACKET FOR SAFETY SWITCH	1
14	BE 031 013 000	EYED TERMINAL M4	2
15	BS 554 100 620	BOLT M6X20 DIN 603	2
16	BS 541 000 410	SCREW M4X10 DIN 84	2
17	BT 654 001 901	CLAM 19MM	1
18	MPA 01 010 200	COVER PLATE FOR SAFETY SWITCH	1
19	BS 502 000 400	SELF LOCKING NUT M4 DIN 985	2
20	BE 043 010 100	WRAP TIE 100X2.5	4



ELIET MAJOR -- ACCESSORIES					
NO	MMA-01.040.180	REV	1	DATE	2006/06/15

ELIET SPARE PARTS MANUAL

MAJOR

ASSEMBLYLIST 9

ACCESSORIES

MMA 01 040 180-1

ITEM	PART NUMBER	DESCRIPTION	QUANTITY
1	BZ 201 040 010	MANUAL	1
2	BQ 710 050 000	GLOVES	1
3	BQ 720 050 000	GOGGLES	1
4	BQ 700 050 000	HEARING PROTECTORS	1
5	BG 900 010 502	FUNNEL	1
6	MA 003 001 001	GRATING FOR WET MATERIAL	1
7	MPA 01 040 560	ROD FOR GRATING	5