

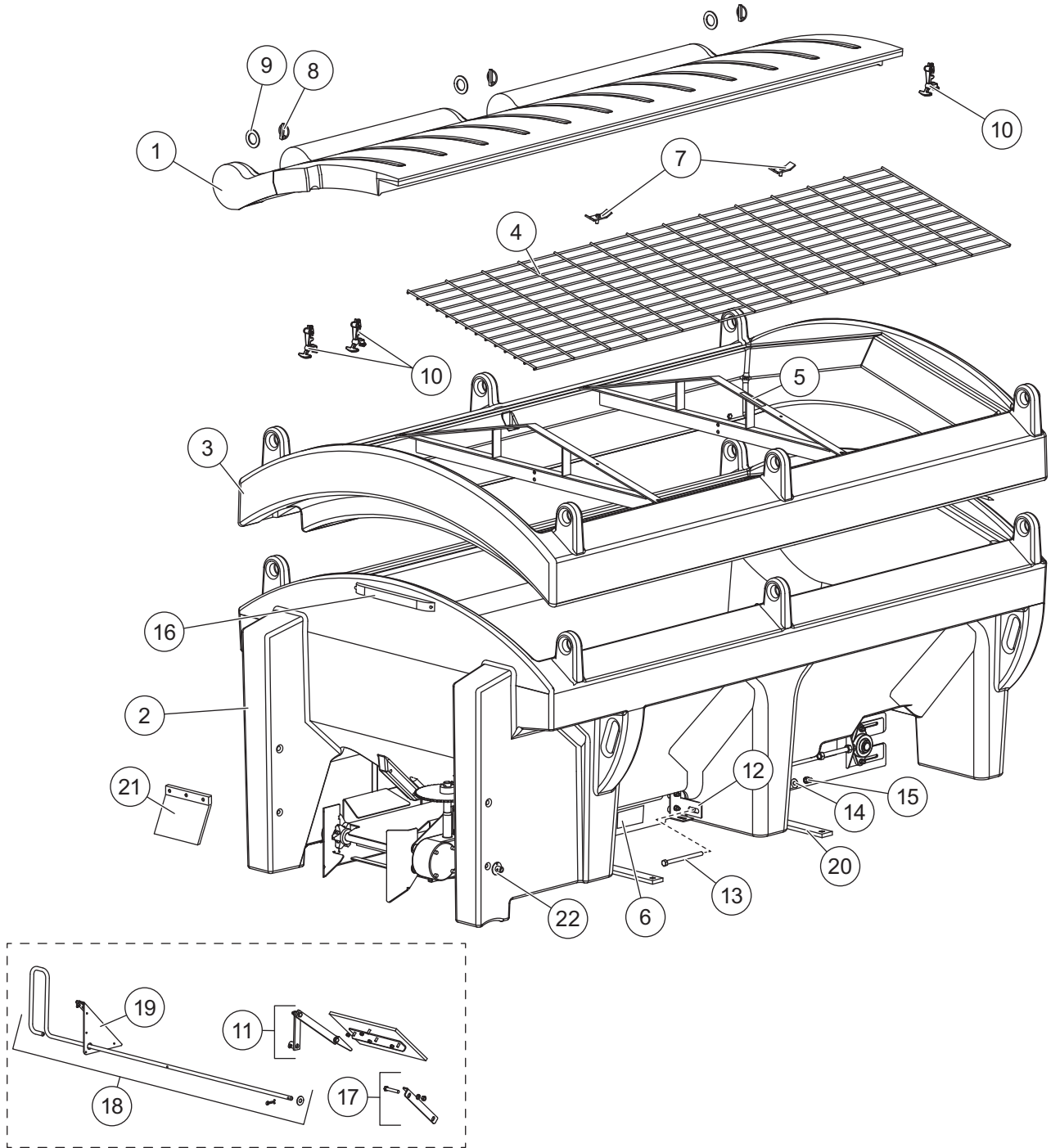


**78002, 78005, 78008**  
**Hopper Spreader Components**  
**ICE CHASER™ Hopper Spreader**  
**Parts List**

This Parts List is for BLIZZARD® ICE CHASER Hopper Spreaders with serial numbers beginning with 090528–120315.

# ICE CHASER™ HOPPER SPREADER

## HOPPER COMPONENTS



# ICE CHASER™ HOPPER SPREADER

| Hopper Components |         |                      |   |      |           |     |   |
|-------------------|---------|----------------------|---|------|-----------|-----|---|
| Item              | Part    | Qty                  | Description   | Item | Part      | Qty | Description   |
| 1                 | 78018   | 1                    | Poly Hopper Lid 7' (DS)                                     | 12   | 78119     | 3   | Hopper Mounting Bracket (PS)  |
|                   | 78019   | 1                    | Poly Hopper Lid 8' (DS)                                     | ns   | 78133     | 3   | Hopper Mounting Bracket (DS)  |
| ns                | 78020   | 1                    | Poly Hopper Lid 7' (PS)                                     | 13   | 78203     | 4   | 1/2-13 x 7-1/2 Hex Cap Screw SS   |
|                   | 78021   | 1                    | Poly Hopper Lid 8' (PS)                                     | 14   | 68109     | 4   | 1/2 Flat Washer SS  |
| 2                 | 78011   | 1                    | Poly Hopper Body 7'   | 15   | 95834     | 4   | 1/2-13 Hex Locknut SS   |
|                   | 78014   | 1                    | Poly Hopper Body 8'   | ns   | 90375     | 8   | 3/8-16 x 1 Carriage Bolt SS   |
| 3                 | 78228   | 1                    | Poly Hopper 8' Collar                                       | ns   | 91282     | 8   | 3/8 Lock Washer SS  |
| 4                 | 78115   | 2                    | Top Screen, 7' (Painted)                                    | ns   | 91431     | 8   | 3/8-16 Hex Nut SS   |
|                   | 78116   | 2                    | Top Screen, 8' (Painted)                                    | 16   | 78048     | 1   | CHMSL Kit (w/fasteners)   |
| 5                 | 78117-1 | 2                    | Top Screen Brace w/Label (67272)<br>Poly Hopper             | 17   | 78083     | 2   | Feed Gate Guide with Fasteners Kit<br>(incl. 94495 [2], 78047 [1], 91350 [2]) |
| 6                 | 68584   | 2                    | Label – Warning/Caution, Spreaders                          | 18   | 78094     | 1   | Feed Gate Handle Kit (incl. 78029,<br>90601 [2] and item 14)                  |
| 7                 | 96038   | 4                    | Wing Bolt   | 19   | 78098     | 1   | Feed Gate Detent Bracket<br>(incl. 78028 w/fasteners)                         |
| 8                 | 93010   | 6                    | 7/16 Linchpin   | ns   | 66438     | 4   | 3/8-16 x 1-1/2 Hex Cap Screw  |
| 9                 | 78097   | 6                    | Washer 2.5 OD x 1.53 ID SS                                  | 20   | 78109     | 2   | Mounting Bar (incl. 78056, 90380 [2]<br>and items 14 [2], 15 [2])             |
| 10                | 65224   | 3                    | Strap, Rubber Hold-Down Assembly                            | ns   | 78242     | 1   | Poly Hopper Collar Hardware Kit   |
| ns                | 61246   | 1                    | Cable Boot  | 21   | 78177     | 1   | Sprocket Shield Kit   |
| ns                | 8289    | 1                    | Boot Bracket  | 22   | 78262     | 2   | Chute Attachment Sleeve Kit   |
| ns                | 96375   | 1                    | 3/8 x 1 Sheet Metal Screw                                   |      |           |     |   |
| 11                | 78118   | 1                    | Feed Gate Assembly Kit, Poly Hopper<br>(incl. 78093, 90601) |      |           |     |   |
| ns = not shown    |         | SS = Stainless Steel |   |      | G = Grade |     |   |



# ICE CHASER™ HOPPER SPREADER

| Drive Components |         |     |  |       |        |     |   |
|------------------|---------|-----|--|-------|--------|-----|---|
| Item             | Part    | Qty | Description  | Item  | Part   | Qty | Description                                 |
| 1                | 78124   | 1   | Chute Cover  | 43    | 78193  | 1   | Sill 8'                                     |
| 2                | 78099   | 1   | Chute Motor Cover  | 44    | 67155  | 2   | 5/16 Flat Washer SS                         |
| 3                | 78300   | 1   | Motor 12 V DC 1/3 hp (incl. 93101)   | 45    | 78031  | 1   | Chute Attachment Pin Bag (pkg of 2)         |
| 4                | 78125   | 1   | Chute Motor Mounting Plate Kit (incl. 68511 [2], 78068 and items 10 [4], 11 [4], 12 [4]) | 46    | 78076  | 1   | Pintle Chain (99 Links)                     |
| 5                | 78106‡  | 1   | 10-Tooth Cogged Belt Pulley  | 94898 |        | 1   | Pintle Chain (108 Links)                    |
| 6                | M1355   | 1   | Gear Belt  | 47    | 68492  | AR  | Conveyor Repair Bar w/Pins and Cotters      |
| 7                | 78066   | 1   | 40-Tooth Cogged Belt Pulley 3/4 Bore   | 48    | 68475  | AR  | Conveyor Repair Link w/Pins and Cotters     |
| 8                | 78126   | 1   | Chute Motor Base Plate Kit (incl. items 11 [4], 19 [4], 78065)                           | 49    | 41743  | AR  | Conveyor Chain Pin w/Cotter                 |
| 9                | 96167   | 2   | Pillow Block Bearing 3/4 Bore  | 51    | 91897  | AR  | 3/32 x 1/2 Cotter Pin                       |
| 10               | 90375   | 28  | 3/8-16 x 1 Carriage Bolt SS  | 52    | 78075  | 1   | #40 Chain with Master Link                  |
| 11               | 91282   | 39  | 3/8 Lock Washer SS   | 53    | 95894  | AR  | #40 Chain Master Link                       |
| 12               | 91431   | 34  | 3/8-16 Hex Nut SS  | 54    | 78102  | 1   | Cab Control                                 |
| 13               | 78067   | 1   | Spinner Shaft  | 55    | 78201  | 1   | Seal Kit                                    |
| 14               | 94424   | 1   | Spinner, Poly  | 56    | 78107  | 1   | Cap Plug for Motor Cover                    |
| 15               | 91430   | 1   | 5/16-18 Hex Nut SS   | 57    | 66130  | 1   | Grommet                                     |
| 16               | 94495   | 1   | 5/16-18 x 2-1/4 Hex Cap Screw SS   | 58    | 78231  | 1   | Full Chute Assembly                         |
| 17               | 78128   | 2   | Deflector Bracket  | 59    | 78247  | 2   | Chute Handle Kit                            |
| 18               | 78129   | 1   | Deflector  | 60    | 78261  | 1   | Sill Deflector, PS                          |
| 19               | 90376   | 5   | 3/8-16 x 3/4 Hex Cap Screw SS  | 61    | 78260  | 1   | Sill Deflector, DS                          |
| 20               | 78130   | 1   | Spinner Guard  | 62    | 78262  | 4   | Chute Attachment Sleeve Kit                 |
| 21               | 78268   | 1   | 3/8 Well Nut Fastener Kit  | 63    | 78269  | 1   | 1/4 Well Nut (pkg of 2)                     |
| 22               | 78270   | 1   | 1/4 Well Nut Fastener Kit  | 64    | 78267  | 1   | 3/8 Well Nut (pkg of 2)                     |
| 23               | 95755-2 | 1   | Motor 12 V DC 1/2 hp   | ns    | 78199  | 1   | CHMSL Harness Kit                           |
| 24               | 95777   | 1   | Sprocket, #40 x 11T x 5/8  | ns    | 29217  | 1   | Vehicle Power Cable                         |
| 25               | 78057   | 1   | Sprocket, #40 x 55T x 1  | ns    | 48808  | 1   | Spreader Power Cable                        |
| 26               | 95567   | 1   | Gear Case 20:1   | ns    | 29221  | 1   | Vehicle-Side Control Harness                |
| 27               | 68345   | 10  | 3/8-16 x 1-1/2 Carriage Bolt SS  | ns    | 78103  | 1   | Wiring – Module to Motor                    |
| 28               | 91284   | 4   | 1/2 Lock Washer Spring SS  | ns    | 78104  | 1   | Wiring – Module to Spinner Connector        |
| 29               | 68360   | 4   | 1/2-13 x 3/4 Button Cap Screw  | ns    | 78105  | 1   | Wiring – Spinner Connector to Spinner Motor |
| 30               | 78131   | 1   | Chain Guard (DS Rear)  | ns    | 95836  | 1   | Fuse, 100 Amp                               |
| 31               | 78132   | 1   | Chain Guard (PS Rear)  | ns    | 95837  | 1   | Fuse Holder                                 |
| 32               | 78178-1 | 1   | Control Module – Dual Motor  | ns    | 22511K | 1   | 22" Battery Cable                           |
| 33               | 78108   | 1   | Module Cover   | ns    | 78246  | 1   | Control Bracket Kit                         |
| 34               | 90556   | 4   | 5/16-18 x 1 Carriage Bolt  | ns    | B61548 | 1   | Plug Cover Kit                              |
| 35               | 91350   | 4   | 5/16-18 Hex Locknut GB SS  | ns    | 78266  | 1   | Chain Wiper Kit                             |
| 36               | 90381   | 2   | 1/4-20 x 3/4 Hex Cap Screw SS  |       |        |     |   |
| 37               | 94536   | 3   | 1-1/8 Bearing, 2-Bolt Flange   |       |        |     |   |
| 38               | 65909   | 4   | Drive Sprocket, 6T   |       |        |     |   |
| 39               | 94351   | 1   | Idler Shaft  |       |        |     |   |
| 40               | 65174   | 5   | Machine Key 1/4 sq x 1-1/2   |       |        |     |   |
| 41               | 65609   | 2   | 5/8-11 x 6 Take-Up Bolt SS   |       |        |     |   |
| 42               | 91435   | 4   | 5/8-11 Hex Nut   |       |        |     |   |
| 43               | 78192   | 1   | Sill 7'  |       |        |     |   |

ns = not shown

AR = As Required

SS = Stainless Steel

G = Grade

‡ = For use on motors with 5/16" shaft only

**See page 6 for Accessories parts list.**

# ICE CHASER™ HOPPER SPREADER

---

| Accessories |       |     |                             |      |       |     |                             |
|-------------|-------|-----|-----------------------------|------|-------|-----|-----------------------------|
| Item        | Part  | Qty | Description                 | Item | Part  | Qty | Description                 |
| ns          | 78197 | 1   | License Plate Light Kit     | ns   | 78204 | 1   | Vehicle-Side Harness Kit    |
| ns          | 78198 | 1   | Work Light Kit              | ns   | 78195 | 1   | Vibrator Kit                |
| ns          | 78120 | 1   | Inverted Vee Kit, 8' Models | ns   | 78150 | 1   | Inverted Vee Kit, 7' Models |

ns = not shown

Copyright © 2012 Douglas Dynamics, L.L.C. All rights reserved. This material may not be reproduced or copied, in whole or in part, in any printed, mechanical, electronic, film or other distribution and storage media, without the written consent of Blizzard. Authorization to photocopy items for internal or personal use by Blizzard outlets or spreader owner is granted.

Blizzard reserves the right under its product improvement policy to change construction or design details and furnish equipment when so altered without reference to illustrations or specifications used. Blizzard or the vehicle manufacturer may require or recommend optional equipment for spreaders. Do not exceed vehicle ratings with a spreader. Blizzard offers a limited warranty for all spreaders and accessories. See separately printed page for this important information. The following are registered (®) or unregistered (™) trademarks of Douglas Dynamics, L.L.C.: BLIZZARD®, ICE CHASER™.

**Printed in U.S.A.**